



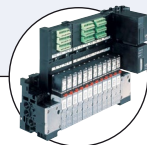
2/2 way Compact Diaphragm Valve, cast valve body, threaded port connection, G 1/4 - 3/4

- Hermetical separation of fluids from the actuator by diaphragm
- For contaminated, viscous or dirty fluids

Type 2031 Compact can be combined with...



Type 8697
Electrical position feedback



Type 8640/8644
Valve block



Type 6012/6014 P
Pilot valve



Type 8311
Pressure Sensor/ Switch

For process valves with decentralized automation see ELEMENT Type 2103

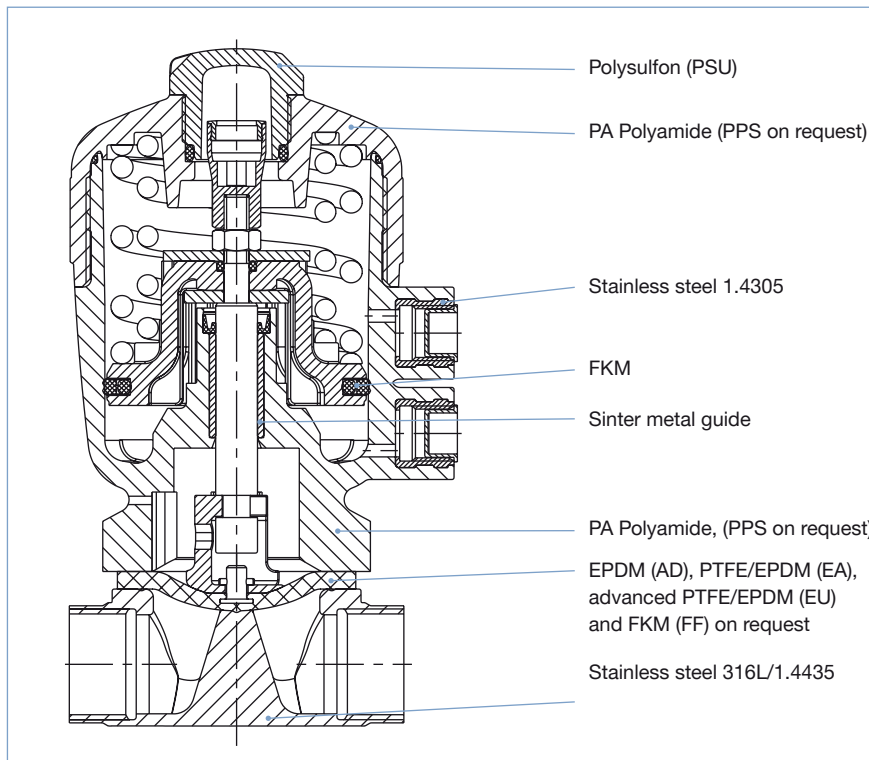


The externally piloted diaphragm valve consists of a pneumatically operated piston actuator, a diaphragm and a 2-way valve housing made of investment cast stainless steel.

The standard material of the actuator is PA polyamide. With its favourable flow characteristics, the valve enables high flow capacities and a variety of applications for contaminated, viscous or dirty fluids to be realised.

Technical data	
Port connection	Threaded ports ISO 228, G 1/4 - 3/4
Orifice	DN15-20
Body material	Cast stainless steel 316 L/1.4435
Actuator material	PA polyamide
Pilot air ports	Stainless steel 1.4305
Diaphragm materials	EPDM (AD), PTFE/EPDM (EA), advanced PTFE/EPDM (EU) and FKM (FF) on request
Medium	Neutral gases and liquids, sterile, aggressive or abrasive fluids
Viscosity	Up to viscous
Media temperature	PTFE/EPDM (EA) -10 to +130 °C (steam sterilisation +140 °C for 60 min) EPDM (AD), advanced PTFE/EPDM (EU) -10 to +143 °C (steam sterilisation +150 °C for 60 min) FKM (FF) 0 to +130 °C (steam sterilisation +150 °C for 60 min)
Ambient temperature	-5 to +60 °C
Control medium	Neutral gases; air
Installation	As required, preferably with actuator in upright position

Materials



Ordering chart for valves (other versions on request)

Body with threaded port connection

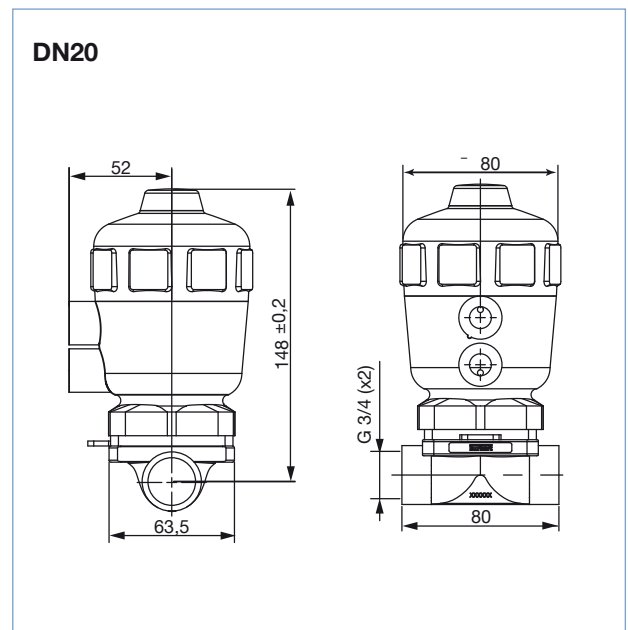
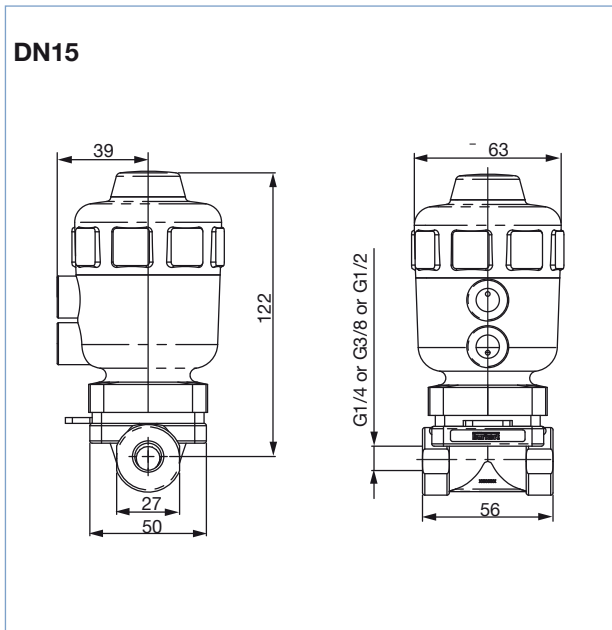
Control function	Orifice [mm]	Port connection [inch]	K _v value water [m ³ /h]	Actuator size Ø [mm]	Pilot pressure [bar]		Max. operating pressure [bar]	Article no.
					min.	max.		
A Pneumatically operated on / off valve, bidirectional, normally closed by spring force 	EPDM seal (AB)							
	15	G ¼"	4.0	D-50	5.0	10	8.5	321001
	15	G ⅜"	4.0	D-50	5.0	10	8.5	321002
	15	G ½"	4.0	D-50	5.0	10	8.5	291123
	20	G ¾"	7.0	E-63	5.5	10	10.0	318520
	FKM seal (FF)							
	15	G ¼"	4.0	D-50	5.0	10	8.5	445420
	15	G ⅜"	4.0	D-50	5.0	10	8.5	445421
	15	G ½"	4.0	D-50	5.0	10	8.5	445422
	20	G ¾"	7.0	E-63	5.5	10	10.0	558714
	EPDM lined with PTFE seal (EA)							
	15	G ¼"	4.0	D-50	7.0	10	8.5	442835
	15	G ⅜"	4.0	D-50	7.0	10	8.5	444148
	15	G ½"	4.0	D-50	7.0	10	8.5	442834
	20	G ¾"	7.0	E-63	8.5	10	10.0	558713

i Further versions on request

Control function
Normally open or double-acting

Material
Diaphragms for steam sterilization advanced PTFE / EPDM (EU) and FKM (FF)

Dimensions [mm]



DTS 1000113799 EN Version: E Status: RL (released | freigegeben | valide) printed: 11.02.2020

To find your nearest Bürkert facility, click on the orange box → www.burkert.com

In case of special application conditions, please consult for advice.

We reserve the right to make technical changes without notice.

1803/5_EU-en_00895110