



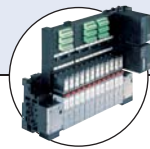
## Pneumatically operated 2/2-way angle seat valve with stainless steel actuator

- Flow optimized stainless steel bodies with various port connections
- Trusted inner parts for long cycle life
- Actuator in stainless steel for demanding environments
- Large accessory program with stroke limitation and feedback

Type 2060 Welded can be combined with...



**Type 8697**  
feedback



**Type 8640/8644**  
valve island



**Type 6012/6014 P**  
pilot valve



**Stroke limiter**



The pneumatically operated angle seat valve with stainless steel actuators fulfils the demands of tough process environments. Unrivalled cycle life and sealing integrity is guaranteed by the trusted self-adjusting spindle packing with V-seals.

The stainless steel actuator is designed to withstand tough conditions. Laser welding allows a design without seals and smooth surfaces that is both cleanable and robust. With a ducted exhaust air port the actuator can be isolated from the environment an optimum from a lifetime and hygienic point of view.

High flow rates are attained with the optimized cast stainless steel 2 way body. Placed within the Bürkert process valves various port connections and a large accessory program are available.

All wetted parts comply with the EC-Regulation 1935/2004, variants with FDA conformity are available on request, also explosion proof variants are available.

| Technical data                                   |  |
|--|--|
| <b>Orifice</b>                                   | DN15 to DN65; 1/2" to 2 1/2"   |
| <b>Port connections</b><br><b>Welded acc. to</b> | DIN EN ISO 1127/ISO 4200/DIN 11866 series B<br>DIN 11850 series 2/DIN 11866 series A/DIN EN 10357 series A ASME BPE / DIN 11866 series C<br>on request: SMS 3008 and BS485 |
| <b>Clamp and threaded</b>                        | on request   |
| <b>Body material</b>                             | Stainless steel 316L   |
| <b>Nominal pressure</b>                          | PN25 (Body)  |
| <b>Actuator material</b>                         | 1.4404 (316L), 1.4308  |
| <b>Sealing material</b>                          | PTFE (others on request)   |
| <b>Medium</b>                                    | Water, alcohol, oils, fuels, hydraulic fluids, salt solution, alkali solutions, organic solvents, steam  |
| <b>Viscosity</b>                                 | max. 600 mm <sup>2</sup> /s  |
| <b>Spindle packing</b>                           | PTFE V-rings with spring compensation  |
| <b>Medium temperature</b>                        | -10°C to 185°C   |
| <b>Ambient temperature</b>                       | 0°C to 100°C at 150°C ambient temperature<br>0°C to 80°C at 150°C < ambient temperature ≤ 185°C  |
| <b>Control medium</b>                            | Neutral gases, air   |
| <b>Max. pilot pressure</b>                       | 10.5 bar<br>7.5 bar for actuator size 130mm (P)  |
| <b>Pilot air ports</b>                           | thread G1/8  |
| <b>Installation</b>                              | As required, preferably with actuator in upright position  |
| <b>Surface Finish</b>                            | Int. Ra ≤ 3,2µm (others on request)  |

### Content



#### Valve specifications

##### Type 2060

Technical data & ordering info. p. 1-4



#### System spec. On/Off ELEMENT

##### Type 8801-YE

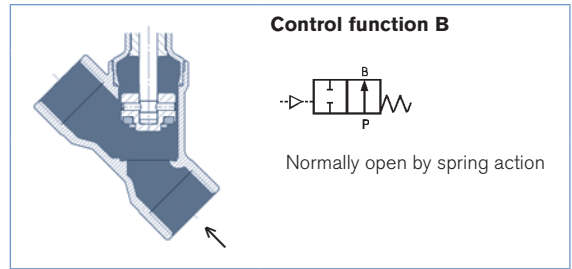
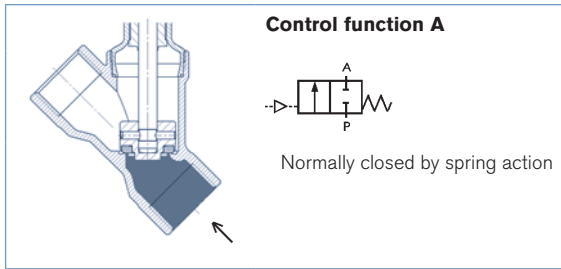
Technical data & ordering info. p. 9

#### Request for quotation

##### Type 8801-YE

p. 11

Technical data angle seat valve Type 2060 flow direction below the seat (for gases and liquids)

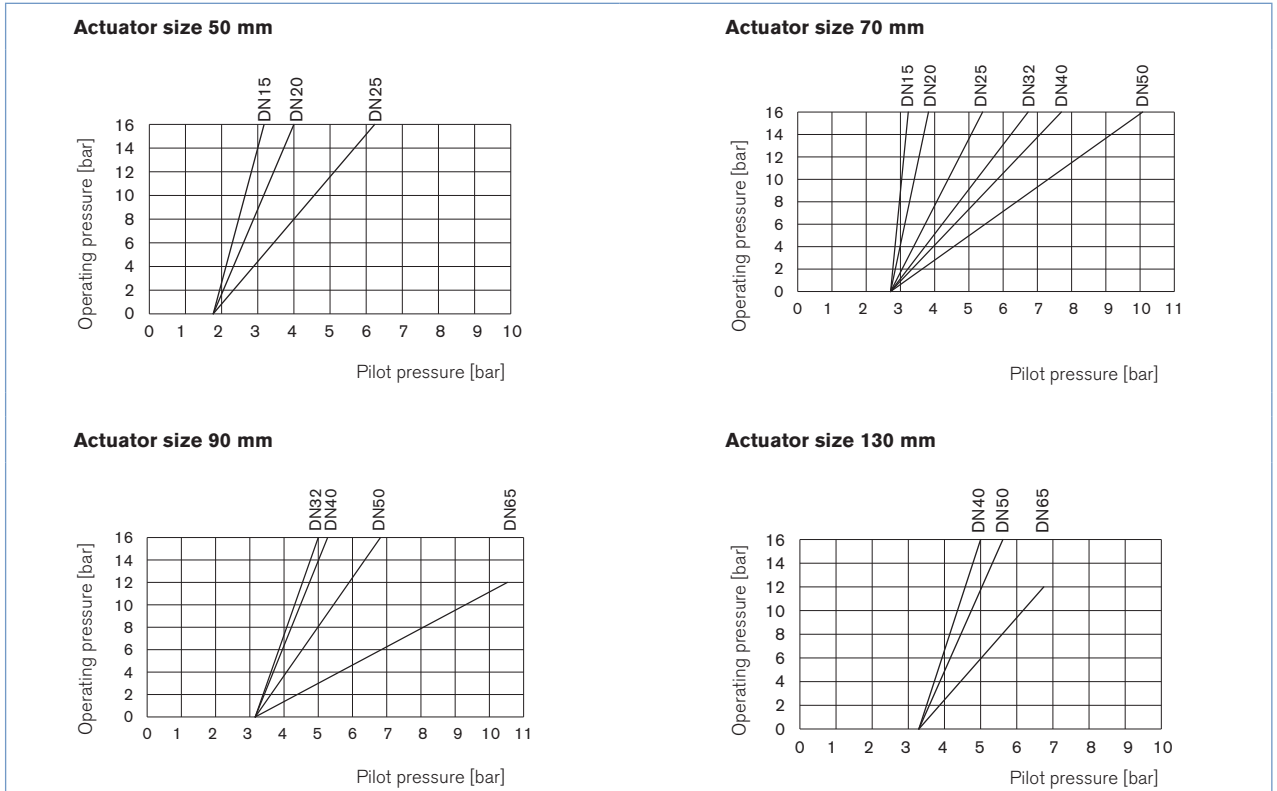


| Orifice [mm] | Orifice [inch] | Actuator size [mm] | Kv value water [m <sup>3</sup> /h] | Minimum pilot pressure CFA [bar] | Operating pressure up to +185°C |           |
|--------------|----------------|--------------------|------------------------------------|----------------------------------|---------------------------------|-----------|
|              |                |                    |                                    |                                  | CFA [bar]                       | CFB [bar] |
| 15           | 1/2"           | 50 (D)             | 4.2                                | 4.0                              | 16                              | 16        |
| 20           | 3/4"           | 50 (D)             | 8                                  | 4.0                              | 16                              | 16        |
|              |                | 70 (M)             | 11                                 | 5.0                              | 16                              | 16        |
| 25           | 1"             | 50 (D)             | 14                                 | 4.0                              | 9                               | 16        |
|              |                | 70 (M)             | 18                                 | 5.0                              | 16                              | 16        |
| 32           | 1 1/4"         | 70 (M)             | 27                                 | 5.0                              | 8.5                             | 16        |
|              |                | 90 (N)             | 28                                 | 5.0                              | 16                              | 16        |
| 40           | 1 1/2"         | 70 (M)             | 38                                 | 5.0                              | 6                               | 16        |
|              |                | 90 (N)             | 40                                 | 5.0                              | 16                              | 16        |
| 50           | 2"             | 90 (N)             | 55                                 | 5.0                              | 10                              | 16        |
|              |                | 130 (P)            | 62                                 | 5.0                              | 16                              | 16        |
| 65           | 2 1/2"         | 90 (N)             | 85                                 | 5.0                              | 5                               | 12        |
|              |                | 130 (P)            | 95                                 | 5.6                              | 12                              | 12        |

**Flow rate:** Kv value water [m<sup>3</sup>/h]: Measured at +20°C, 1 bar pressure at valve inlet and free outlet.

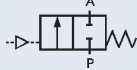
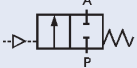
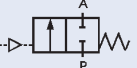
**Pressure valves [bar]:** Overpressure to the atmospheric pressure

Pressure charts with control function B and flow direction below the seat



## Ordering chart angle seat valve Type 2060, flow direction below the seat (for gases and liquids)

Weld end body, flow direction below the seat, others on request

| Control function   | Orifice |            | Port connection tube $\varnothing$ x wall thickness [mm] | Actuator size [mm] | Pilot pressure [bar] | Operating pressure up to +185°C [bar] | Item no. |
|--|---------|------------|--|--------------------|----------------------|---------------------------------------|----------|
|  | [mm]    | [inch]     |  |                    |                      |                                       |          |
| <b>Acc. EN ISO 1127/ISO 4200/DIN 11866 series B</b>  |         |            |  |                    |                      |                                       |          |
| <b>A</b><br>2/2-way valve, externally controlled, normally closed by spring operation with pilot valve (NC)<br>   | 15      | 1/2"       | 21.3 x 1.6   | 50 (D)             | 4.0 - 10.5           | 16                                    | 285 215  |
|  | 20      | 3/4"       | 26.9 x 1.6   | 50 (D)             | 4.0 - 10.5           | 16                                    | 285 217  |
|  |         |            |  | 70 (M)             | 5.0 - 10.5           | 16                                    | 285 218  |
|  | 25      | 1"         | 33.7 x 2.0   | 50 (D)             | 4.0 - 10.5           | 9                                     | 285 219  |
|  |         |            |  | 70 (M)             | 5.0 - 10.5           | 16                                    | 285 220  |
|  | 32      | 1 1/4"     | 42.4 x 2.0   | 70 (M)             | 5.0 - 10.5           | 8.5                                   | 285 221  |
|  |         |            |  | 90 (N)             | 5.0 - 10.5           | 16                                    | 285 222  |
|  | 40      | 1 1/2"     | 48.3 x 2.0   | 70 (M)             | 5.0 - 10.5           | 6                                     | 285 223  |
|  |         |            |  | 90 (N)             | 5.0 - 10.5           | 16                                    | 285 224  |
|  | 50      | 2"         | 60.3 x 2.0   | 90 (N)             | 5.0 - 10.5           | 10                                    | 285 515  |
|  |         |            | 130 (P)  | 5.0 - 7.5          | 16                   | 285 705                               |          |
| 65   | 2 1/2"  | 76.1 x 2.3 | 90 (N)   | 5.0 - 10.5         | 5                    | 285 227                               |          |
|  |         |            | 130 (P)  | 5.6 - 7.5          | 12                   | 285 228                               |          |
| <b>Acc. DIN 11850 series 2/DIN 11866 series A/DIN EN 10357 series A</b>  |         |            |  |                    |                      |                                       |          |
| <b>A</b><br>2/2-way valve, externally controlled, normally closed by spring operation with pilot valve (NC)<br> | 15      | 1/2"       | 19.0 x 1.5   | 50 (D)             | 4.0 - 10.5           | 16                                    | 285 201  |
|  | 20      | 3/4"       | 23.0 x 1.5   | 50 (D)             | 4.0 - 10.5           | 16                                    | 285 203  |
|  |         |            |  | 70 (M)             | 5.0 - 10.5           | 16                                    | 285 204  |
|  | 25      | 1"         | 29.0 x 1.5   | 50 (D)             | 4.0 - 10.5           | 9                                     | 285 205  |
|  |         |            |  | 70 (M)             | 5.0 - 10.5           | 16                                    | 285 206  |
|  | 32      | 1 1/4"     | 35.0 x 1.5   | 70 (M)             | 5.0 - 10.5           | 8.5                                   | 285 207  |
|  |         |            |  | 90 (N)             | 5.0 - 10.5           | 16                                    | 285 208  |
|  | 40      | 1 1/2"     | 41.0 x 1.5   | 70 (M)             | 5.0 - 10.5           | 6                                     | 285 209  |
|  |         |            |  | 90 (N)             | 5.0 - 10.5           | 16                                    | 285 210  |
|  | 50      | 2"         | 53.0 x 1.5   | 90 (N)             | 5.0 - 10.5           | 10                                    | 285 211  |
|  |         |            | 130 (P)  | 5.0 - 7.5          | 16                   | 285 212                               |          |
| 65   | 2 1/2"  | 70.0 x 2.0 | 90 (N)   | 5.0 - 10.5         | 5                    | 285 213                               |          |
|  |         |            | 130 (P)  | 5.6 - 7.5          | 12                   | 285 214                               |          |
| <b>Acc. ASME BPE/DIN 11866 series C</b>  |         |            |  |                    |                      |                                       |          |
| <b>A</b><br>2/2-way valve, externally controlled, normally closed by spring operation with pilot valve (NC)<br> | 15      | 1/2"       | 12.7 x 1.65  | 50 (D)             | 4.0 - 10.5           | 16                                    | 285 189  |
|  | 20      | 3/4"       | 19.05 x 1.65   | 50 (D)             | 4.0 - 10.5           | 16                                    | 285 191  |
|  |         |            |  | 70 (M)             | 5.0 - 10.5           | 16                                    | 285 192  |
|  | 25      | 1"         | 25.4 x 1.65  | 50 (D)             | 4.0 - 10.5           | 9                                     | 285 193  |
|  |         |            |  | 70 (M)             | 5.0 - 10.5           | 16                                    | 285 194  |
|  | 40      | 1 1/2"     | 38.1 x 1.65  | 70 (M)             | 5.0 - 10.5           | 6                                     | 285 195  |
|  |         |            |  | 90 (N)             | 5.0 - 10.5           | 16                                    | 285 196  |
|  | 50      | 2"         | 50.8 x 1.65  | 90 (N)             | 5.0 - 10.5           | 10                                    | 285 197  |
|  |         |            |  | 130 (P)            | 5.0 - 7.5            | 16                                    | 285 198  |
|  | 65      | 2 1/2"     | 63.5 x 1.65  | 90 (N)             | 5.0 - 10.5           | 5                                     | 285 199  |
|  |         |            | 130 (P)  | 5.6 - 7.5          | 12                   | 285 200                               |          |

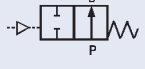
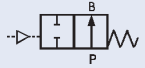
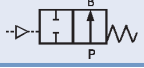
 Further versions on request

 **Control function**  
I (double-acting)

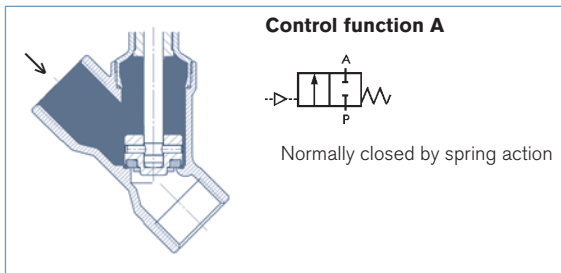
 **Port connection**  
(threaded port / clamp)

## Ordering chart angle seat valve Type 2060, flow direction below the seat (for gases and liquids)

Weld end body, flow direction below the seat, others on request

| Control function  | Orifice |        | Port connection tube Ø x wall thickness [mm] | Actuator size [mm] | Pilot pressure [bar] | Operating pressure up to +185°C [bar] | Item no.           |
|---|---------|--------|--|--------------------|----------------------|---------------------------------------|--------------------|
|   | [mm]    | [inch] |  |                    |                      |                                       |                    |
| <b>Acc. EN ISO 1127/ISO 4200/DIN 11866 series B</b>   |         |        |  |                    |                      |                                       |                    |
| <b>B</b><br>2/2-way valve, externally controlled, normally opened by spring, operation with pilot valve (NO)<br>   | 15      | 1/2"   | 21.3 x 1.6                                   | 50 (D)<br>70 (M)   | see pressure chart   | 16                                    | 285 500<br>287 565 |
|   | 20      | 3/4"   | 26.9 x 1.6                                   | 50 (D)<br>70 (M)   |                      | 16                                    | 285 501<br>287 566 |
|   | 25      | 1"     | 33.7 x 2.0                                   | 70 (M)             |                      | 16                                    | 285 503            |
|   | 32      | 1 1/4" | 42.4 x 2.0                                   | 70 (M)             |                      | 16                                    | 285 504            |
|   | 40      | 1 1/2" | 48.3 x 2.0                                   | 70 (M)             |                      | 16                                    | 285 505            |
|   | 50      | 2"     | 60.3 x 2.0                                   | 70 (M)             |                      | 16                                    | 287 567            |
|   | 65      | 2 1/2" | 76.1 x 2.3                                   | 90 (N)             |                      | 12                                    | 285 511            |
| <b>Acc. DIN 11850 series 2/DIN 11866 series A/DIN EN 10357 series A</b>   |         |        |  |                    |                      |                                       |                    |
| <b>B</b><br>2/2-way valve, externally controlled, normally opened by spring, operation with pilot valve (NO)<br>   | 15      | 1/2"   | 19.0 x 1.5                                   | 50 (D)<br>70 (M)   | see pressure chart   | 16                                    | 287 555<br>287 556 |
|   | 20      | 3/4"   | 23.0 x 1.5                                   | 50 (D)<br>70 (M)   |                      | 16                                    | 287 557<br>287 558 |
|   | 25      | 1"     | 29.0 x 1.5                                   | 70 (M)             |                      | 16                                    | 287 559            |
|   | 32      | 1 1/4" | 35.0 x 1.5                                   | 70 (M)             |                      | 16                                    | 287 560            |
|   | 40      | 1 1/2" | 41.0 x 1.5                                   | 70 (M)             |                      | 16                                    | 287 561            |
|   | 50      | 2"     | 53.0 x 1.5                                   | 90 (N)             |                      | 16                                    | 287 562            |
|   | 65      | 2 1/2" | 70.0 x 2.0                                   | 90 (N)             |                      | 12                                    | 287 563            |
| <b>Acc. ASME BPE/DIN 11866 series C</b>   |         |        |  |                    |                      |                                       |                    |
| <b>B</b><br>2/2-way valve, externally controlled, normally opened by spring, operation with pilot valve (NO)<br> | 15      | 1/2"   | 12.7 x 1.65                                  | 50 (D)<br>70 (M)   | see pressure chart   | 16                                    | 285 499<br>287 548 |
|   | 20      | 3/4"   | 19.05 x 1.65                                 | 50 (D)<br>70 (M)   |                      | 16                                    | 287 549<br>287 550 |
|   | 25      | 1"     | 25.4 x 1.65                                  | 70 (M)             |                      | 16                                    | 287 551            |
|   | 40      | 1 1/2" | 38.1 x 1.65                                  | 70 (M)             |                      | 16                                    | 287 552            |
|   | 50      | 2"     | 50.8 x 1.65                                  | 70 (M)             |                      | 16                                    | 285 509            |
|   | 65      | 2 1/2" | 63.5 x 1.65                                  | 90 (N)             |                      | 12                                    | 287 553            |

Technical data angle seat valve Type 2060 flow direction above the seat (for gases and liquids)



Attention!

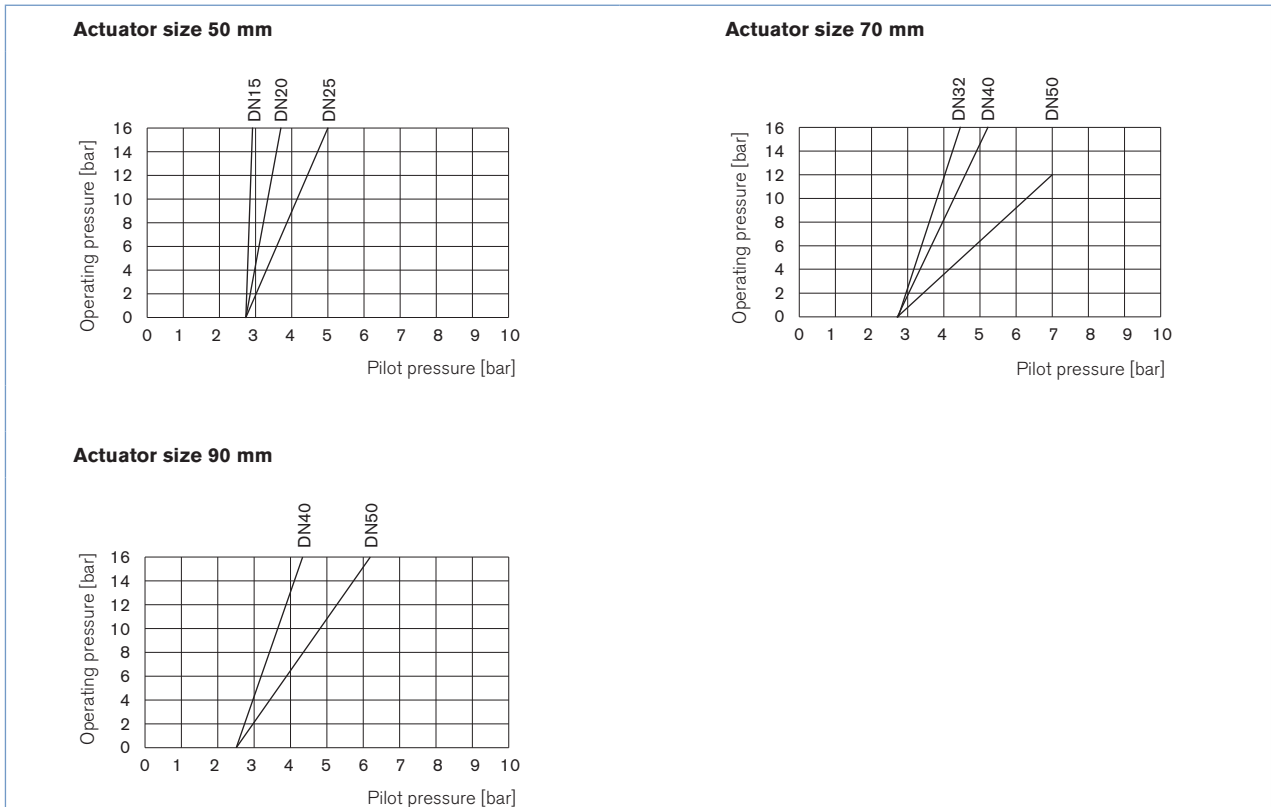
Valves with flow above the seat are only conditionally usable for liquid medium. There is a danger of waterhammer!

| Orifice<br>[mm] | Orifice<br>[inch] | Actuator size<br>[mm] | Kv value water<br>[m³/h] | Operating pressure        |
|-----------------|-------------------|-----------------------|--------------------------|---------------------------|
|                 |                   |                       |                          | up to +185°C<br>CFA [bar] |
| 15              | 1/2"              | 50 (D)                | 4.2                      | 16                        |
| 20              | 3/4"              | 50 (D)                | 8                        | 16                        |
| 25              | 1"                | 50 (D)                | 14                       | 16                        |
| 32              | 1 1/4"            | 70 (M)                | 28                       | 16                        |
| 40              | 1 1/2"            | 70 (M)                | 38                       | 16                        |
| 50              | 2"                | 70 (M)                | 50                       | 12                        |
|                 |                   | 90 (N)                | 55                       | 15                        |

Flow rate: Kv value water [m³/h]: Measured at +20°C, 1 bar pressure at valve inlet and free outlet.

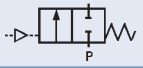
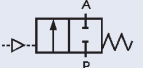
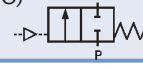
Pressure valves [bar]: Overpressure to the atmospheric pressure

Pressure charts with control function A and flow direction above the seat

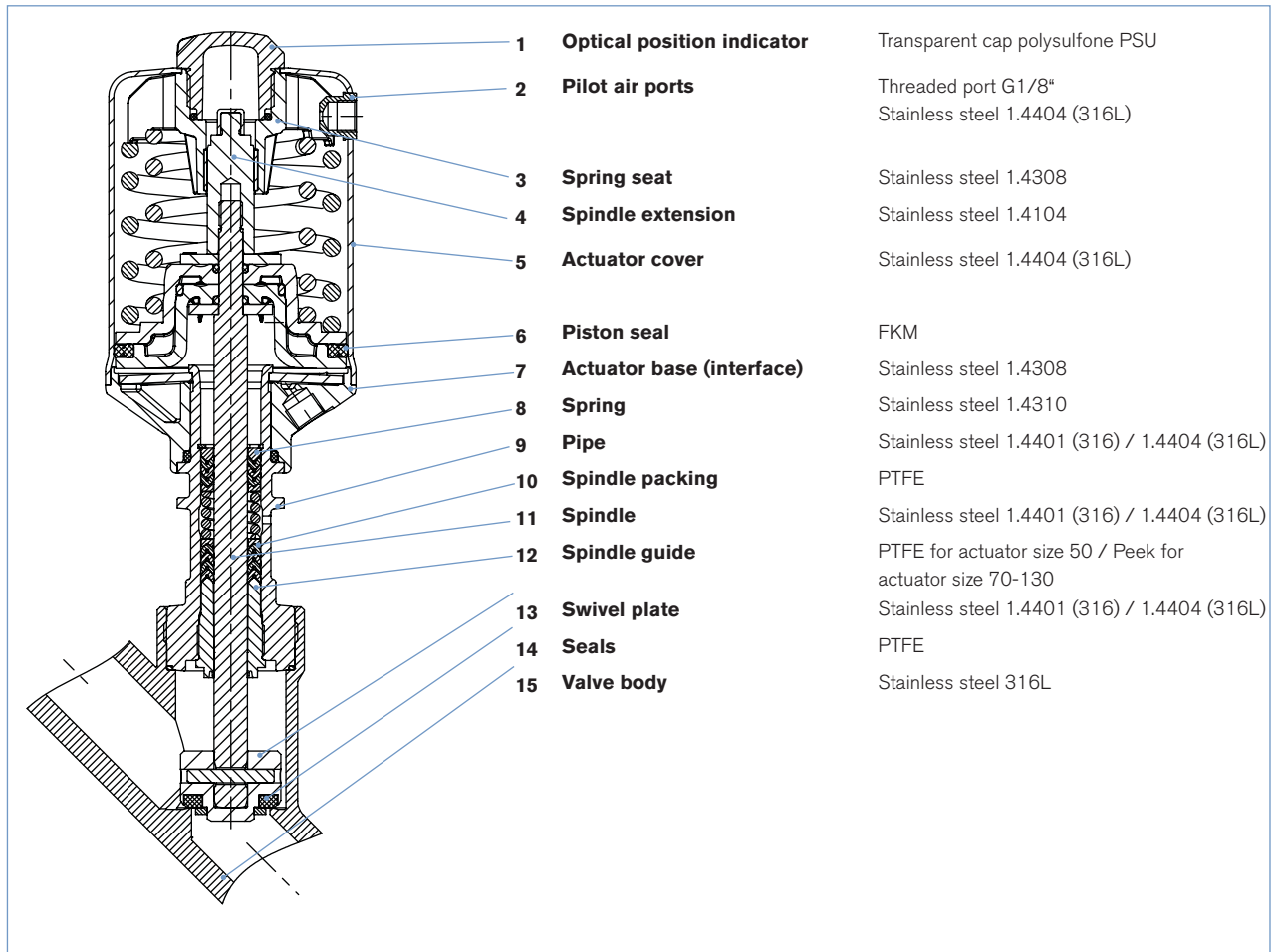


## Ordering chart angle seat valve Type 2060, flow direction above the seat (for gases and liquids)

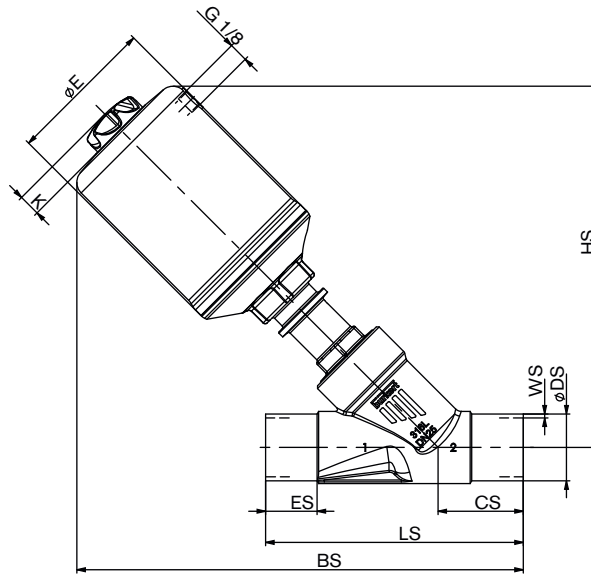
Weld end body, flow direction above the seat, others on request

| Control function   | Orifice |        | Port connection tube $\varnothing$ x wall thickness [mm] | Actuator size [mm] | Pilot pressure [bar] | Operating pressure up to +185°C [bar] | Item no.           |
|--|---------|--------|--|--------------------|----------------------|---------------------------------------|--------------------|
|  | [mm]    | [inch] |  |                    |                      |                                       |                    |
| <b>Acc. EN ISO 1127/ISO 4200/DIN 11866 series B</b>  |         |        |  |                    |                      |                                       |                    |
| <b>A</b><br>2/2-way valve, externally controlled, normally closed by spring operation with pilot valve (NC)<br>   | 15      | 1/2"   | 21.3 x 1.6   | 50 (D)             | see pressure chart   | 16                                    | 287 541            |
|  | 20      | 3/4"   | 26.9 x 1.6   | 50 (D)             |                      | 16                                    | 287 542            |
|  | 25      | 1"     | 33.7 x 2.0   | 50 (D)             |                      | 16                                    | 287 543            |
|  | 32      | 1 1/4" | 42.4 x 2.0   | 70 (M)             |                      | 16                                    | 287 544            |
|  | 40      | 1 1/2" | 48.3 x 2.0   | 70 (M)             |                      | 16                                    | 287 545            |
|  | 50      | 2"     | 60.3 x 2.0   | 70 (M)<br>90 (N)   |                      | 12<br>16                              | 287 546<br>287 547 |
| <b>Acc. DIN 11850 series 2/DIN 11866 series A/DIN EN 10357 series A</b>  |         |        |  |                    |                      |                                       |                    |
| <b>A</b><br>2/2-way valve, externally controlled, normally closed by spring operation with pilot valve (NC)<br>   | 15      | 1/2"   | 19.0 x 1.5   | 50 (D)             | see pressure chart   | 16                                    | 287 534            |
|  | 20      | 3/4"   | 23.0 x 1.5   | 50 (D)             |                      | 16                                    | 287 535            |
|  | 25      | 1"     | 29.0 x 1.5   | 50 (D)             |                      | 16                                    | 287 536            |
|  | 32      | 1 1/4" | 35.0 x 1.5   | 70 (M)             |                      | 16                                    | 287 537            |
|  | 40      | 1 1/2" | 41.0 x 1.5   | 70 (M)             |                      | 16                                    | 287 538            |
|  | 50      | 2"     | 53.0 x 1.5   | 70 (M)<br>90 (N)   |                      | 12<br>16                              | 287 539<br>287 540 |
| <b>Acc. ASME BPE/DIN 11866 series C</b>  |         |        |  |                    |                      |                                       |                    |
| <b>A</b><br>2/2-way valve, externally controlled, normally closed by spring operation with pilot valve (NC)<br> | 15      | 1/2"   | 12.7 x 1.65  | 50 (D)             | see pressure chart   | 16                                    | 287 528            |
|  | 20      | 3/4"   | 19.05 x 1.65   | 50 (D)             |                      | 16                                    | 287 529            |
|  | 25      | 1"     | 25.4 x 1.65  | 50 (D)             |                      | 16                                    | 287 530            |
|  | 40      | 1 1/2" | 38.1 x 1.65  | 70 (M)             |                      | 16                                    | 287 531            |
|  | 50      | 2"     | 50.8 x 1.65  | 70 (M)<br>90 (N)   |                      | 12<br>16                              | 287 532<br>287 533 |

## Materials angle seat valve Type 2060



Dimensions angle seat valve Type 2060 [mm]



Acc. EN ISO 1127/ISO 4200/DIN 11866 series B, acc. ASME BPE/DIN 11866 series C, acc. DIN 11850 series 2/DIN 11866 series A/DIN EN 10357 series A

| All bodies |                    |         |        |         | acc. EN ISO 1127/ISO 4200/DIN 11866 series B |         |         |          |         |         | acc. ASME BPE/DIN 11866 series C |         |         |          |         |         |
|------------|--------------------|---------|--------|---------|--|---------|---------|----------|---------|---------|----------------------------------|---------|---------|----------|---------|---------|
| DN [mm]    | Actuator size [mm] | ØE [mm] | K [mm] | HS [mm] | BS [mm]                                      | CS [mm] | LS [mm] | ØDS [mm] | ES [mm] | WS [mm] | BS [mm]                          | CS [mm] | LS [mm] | ØDS [mm] | ES [mm] | WS [mm] |
| 15         | 50 (D)             | 55      | 26.5   | 150     | 184  | 34      | 100     | 21.3     | 19      | 1.6     | 293                              | 45      | 135     | 19       | 15      | 1.65    |
|            | 70 (M)             | 75      | 26.5   | 171     | 209  |         |         |          |         |         | 220                              |         |         |          |         |         |
| 20         | 50 (D)             | 55      | 26.5   | 155     | 194  | 39      | 115     | 26.9     | 20      | 1.6     | 197                              | 52      | 145     | 19.05    | 25      | 1.65    |
|            | 70 (M)             | 75      | 26.5   | 178     | 217  |         |         |          |         |         | 234                              |         |         |          |         |         |
| 25         | 50 (D)             | 55      | 26.5   | 161     | 204  | 43      | 130     | 33.7     | 26      | 2       | 212                              | 51      | 152     | 25.4     | 30      | 1.65    |
|            | 70 (M)             | 75      | 26.5   | 183     | 226  |         |         |          |         |         | 234                              |         |         |          |         |         |
| 32         | 70 (M)             | 75      | 26.5   | 191     | 236  | 45      | 145     | 42.4     | 26      | 2       | n/a                              | n/a     | n/a     | n/a      | n/a     | n/a     |
|            | 90 (N)             | 96      | 29     | 236     | 281  |         |         |          |         |         | n/a                              | n/a     | n/a     | n/a      | n/a     | n/a     |
| 40         | 70 (M)             | 75      | 26.5   | 197     | 246  | 49      | 160     | 48.3     | 26      | 2       | 257                              | 60      | 182     | 38.1     | 30      | 1.65    |
|            | 90 (N)             | 96      | 29     | 242     | 291  |         |         |          |         |         | 302                              |         |         |          |         |         |
| 50         | 70 (M)             | 75      | 26.5   | 214     | 264  | 50      | 175     | 60.3     | 26      | 2.6     | 278                              | 64      | 210     | 50.8     | 30      | 1.65    |
|            | 90 (N)             | 96      | 29     | 257     | 307  |         |         |          |         |         | 321                              |         |         |          |         |         |
|            | 130 (P)            | 137     | 29     | 301     | 352  |         |         |          |         |         | 352                              |         |         |          |         |         |
| 65         | 90 (N)             | 96      | 29     | 269     | 319  | 50      | 210     | 76.1     | 26      | 2.3     | 307                              | 56      | 230     | 63.5     | 26      | 1.65    |
|            | 130 (P)            | 137     | 29     | 314     | 364  |         |         |          |         |         | 370                              |         |         |          |         |         |

| All bodies |                    |         |        |         | acc. DIN 11850 series 2/DIN 11866 series A/DIN EN 10357 series A |         |         |          |         |         |
|------------|--------------------|---------|--------|---------|--|---------|---------|----------|---------|---------|
| DN [mm]    | Actuator size [mm] | ØE [mm] | K [mm] | HS [mm] | BS [mm]  | CS [mm] | LS [mm] | ØDS [mm] | ES [mm] | WS [mm] |
| 15         | 50 (D)             | 55      | 26.5   | 150     | 184  | 34      | 100     | 19       | 20      | 1.5     |
|            | 70 (M)             | 75      | 26.5   | 171     | 209  |         |         |          |         |         |
| 20         | 50 (D)             | 55      | 26.5   | 155     | 194  | 39      | 115     | 23       | 20      | 1.5     |
|            | 70 (M)             | 75      | 26.5   | 178     | 217  |         |         |          |         |         |
| 25         | 50 (D)             | 55      | 26.5   | 161     | 204  | 43      | 130     | 29       | 26      | 1.5     |
|            | 70 (M)             | 75      | 26.5   | 183     | 226  |         |         |          |         |         |
| 32         | 70 (M)             | 75      | 26.5   | 191     | 236  | 45      | 145     | 35       | 26      | 1.5     |
|            | 90 (N)             | 96      | 29     | 236     | 281  |         |         |          |         |         |
| 40         | 70 (M)             | 75      | 26.5   | 197     | 246  | 49      | 160     | 41       | 26      | 1.5     |
|            | 90 (N)             | 96      | 29     | 242     | 291  |         |         |          |         |         |
| 50         | 70 (M)             | 75      | 26.5   | 214     | 264  | 50      | 175     | 53       | 26      | 1.5     |
|            | 90 (N)             | 96      | 29     | 257     | 307  |         |         |          |         |         |
|            | 130 (P)            | 137     | 29     | 301     | 352  |         |         |          |         |         |
| 65         | 90 (N)             | 96      | 29     | 269     | 319  | 50      | 210     | 70       | 26      | 2       |
|            | 130 (P)            | 137     | 29     | 314     | 364  |         |         |          |         |         |



## Ordering information for valve system On/Off Type 8801-YV

A **valve system On/Off Type 8801-YV** consists of a **angle seat valve Type 2060** and feedback **Type 8697** (see separate datasheets). For the configuration of further valve systems Type 2060 and a feedback **Type 8697** (see separate datasheets) please use the "Request for quotation" on p. 11-12. [go to page](#)

### Angle seat valve Type 2060 Welded



### Feedback

Type 8697



### Valve System On/Off ELEMENT



**Type 8801-YV**  
**2060 + 8697**

### Electrical position feedback

More  
info.



### Type 8697

Actuator size 40 to 225

The pneumatic control unit Type 8697 is designed for integrated mounting on CLASSIC series 20XX process valves suiting the requirements of hygienic process environment Mechanical or inductive limit switches register the position of the valve.

### Features

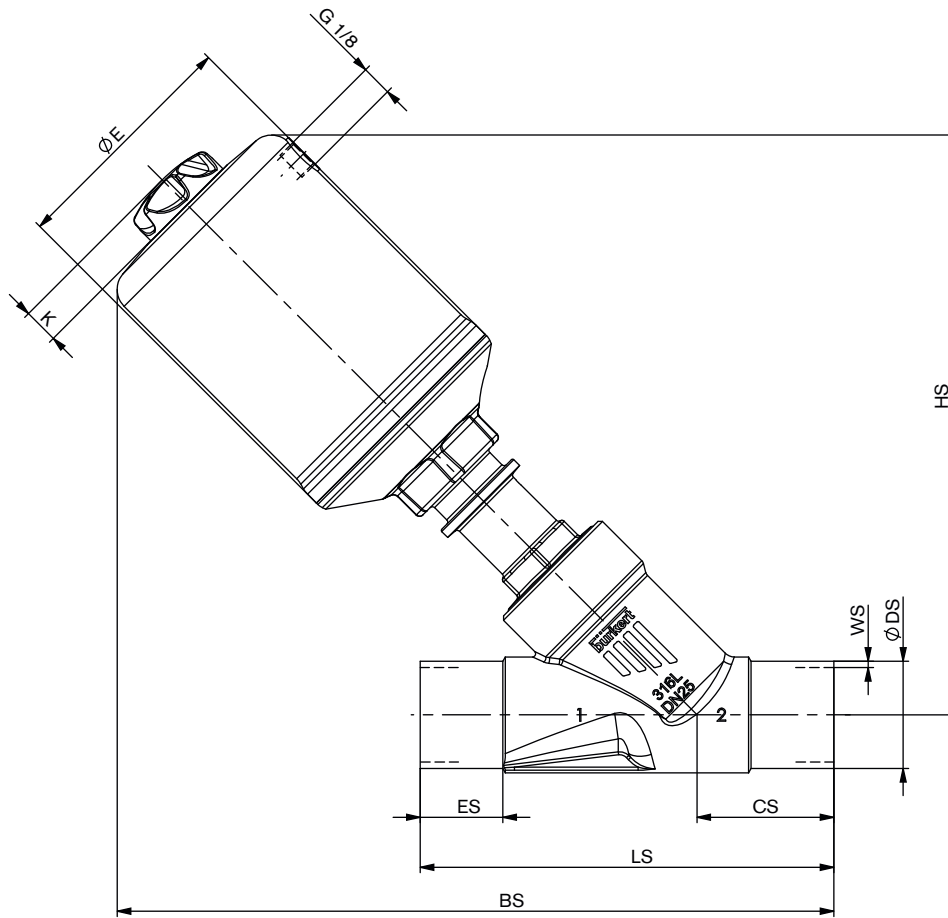
- Compact design
- LED position indicator
- Mechanical or inductive limit switches for end position registering
- Easy to clean chemically resistant housing featuring IP65 / IP67, 4X Rating
- Optional intrinsically safe version acc. to ATEX

### Benefits

- Easy and quick installation
- High level of signal reliability thanks to self adjusting limit switches
- Signal safety through the automatic adjustment of the limit switches
- Minimised space requirement in the plant piping for more flexibility in plant design

### Dimensions for valve system On/Off with stainless steel actuator Type 8801-YV [mm]

Dimensions valve system On/Off ELEMENT Type 8801-YE-K (with pneumatic control unit Type 8690)



| Orifice [mm] | Actuator size [mm] | BM    | HM    |
|--------------|--------------------|-------|-------|
| 15           | D                  | 262.5 | 229.1 |
|              | M                  | 277.4 | 244   |
| 20           | D                  | 272.4 | 234.1 |
|              | M                  | 290   | 251.6 |
| 25           | D                  | 282.8 | 240.4 |
|              | M                  | 298.4 | 256.1 |
| 32           | M                  | 308.9 | 264.6 |
|              | N                  | 355.9 | 307.5 |
| 40           | M                  | 318.4 | 270.1 |
|              | N                  | 342.7 | 298.4 |
| 50           | M                  | 337.3 | 287.9 |
|              | N                  | 368.2 | 318.9 |
|              | P                  | 399.6 | 350.3 |
| 65           | N                  | 385.9 | 331.6 |
|              | P                  | 412.4 | 363   |

Further dimensions see p. 8

Ordering chart for accessories

Accessories has to be ordered separately

| Accessory  | for actuator size | Item no.             |
|--|-------------------|----------------------|
| Stainless steel Silencer Set (VA-Silencer incl. PTFE sealing ring) | universal         | 696 931              |
| Max. stroke limitation   | D (Ø50), M (Ø70)  | 699 550              |
|  | N (Ø90), P (Ø130) | 699 994              |
| Min.-/Max. stroke limitation                                       | D (Ø50), M (Ø70)  | 699 986              |
|  | N (Ø90), P (Ø130) | 699 998              |
| Proximity switch (single)  | D (Ø50), M (Ø70)  | 699 989              |
|  | N (Ø90), P (Ø130) | 699 991              |
| Proximity switch (double)  | D (Ø50), M (Ø70)  | 699 990              |
|  | N (Ø90), P (Ø130) | 699 992              |
| Adaptionsset 8697*   | D (Ø50), M (Ø70)  | 699 551              |
|  | N (Ø90), P (Ø130) | 580 000              |
| 8697*  | universal         | depending on version |

For further accessories see accessories datasheet Type 2XXX for the full options programme.

More info.

Note

You can fill out the fields directly in the PDF file before printing out the form.

Valve system On/Off ELEMENT Type 8801-YE – request for quotation

Please fill out and send to your nearest Bürkert facility\* with your inquiry or order

|               |                |
|---------------|----------------|
| Company       | Contact person |
| Customer no.  | Department     |
| Address       | Tel./Fax       |
| Postcode/town | E-Mail         |

= mandatory fields to fill out

Quantity

Required delivery date

Operating data

Pipe line DN  PN

Pipe material

Process medium

Type of media  Liquid  Steam  Gas

Valve features

Seal material  PTFE  NBR  Other

Nominal pressure PN

Orifice DN

Type of connection  Threaded  Welded  Clamp

Standard connection  ISO  DIN  Other

Control function  NC <sup>1)</sup>  NO <sup>1)</sup>  Double-acting

Pilot pressure  min.  max.

Atex II 2GD Mechanical

Please specify item no. (if known):

<sup>1)</sup>NC: normally closed by spring action; NO: normally open by spring action

Continued on next page →

Valve system On/Off ELEMENT Type 8801-YE – request for quotation, *continued*

**Automation unit features**

Click on the orange box "More info"... you will come to our website for the resp. product where you can download the data sheet.

**Electrical Feedback**

**Type 8697**  
For actuator size 50 to 130



- LED-position indicator
- Micro- or proximity switches for end position feedback
- Gehäuse nach IP 65/67, 4X Rating
- Optional intrinsically safe version acc. to ATEX / IECEx

**Position feedback switches**

- Micro-switch 24V DC
- Micro-switch 50 – 225 V DC/AC
- Inductive switch 3-wire PNP
- Inductive switch 2-wire NAMUR
- Inductive switch 2-wire 24V DC

**Electrical connection**

- Cable gland
- M12 plug  
(only with inductive switch 3-wire PNP)

**No. of Position feedback switches Approvals**

- 2x
- ATEX cat. 3GD, IECEx
- ATEX cat. 2DG, IECEx
- without

**Certifications**

- Attestation of compliance with the order EN-ISO 10204 2.1 (Item-No. 440 788)
- Test report EN-ISO 10204 2.2 (Item-No. 803 722)
- Certification of Conformity for Raw Material EN-ISO 10204 3.1 (Included in delivery)
- FDA compliance
- Compliance EC-Regulation 1935/2004

**Comment /sketch**

|  |
|--|
|  |
|  |
|  |
|  |
|  |

To find your nearest Bürkert facility, click on the orange box → [www.burkert.com](http://www.burkert.com)

In case of special application conditions, please consult for advice.

Subject to alteration.  
© Christian Bürkert GmbH & Co. KG

1604/0\_EU-en\_00895312

DTS 1000290884 EN Version: - Status: RL (released | freigegeben | valide) printed: 24.10.2016