

## Type 3232, 3233

### Manually operated diaphragm valve



## 2/2-way diaphragm valve with manually operated actuator

- Valve body and diaphragm are available in various materials and variants
- Product wetted surfaces in  $Ra \leq 0.38 \mu\text{m} \dots 1.6 \mu\text{m}$  (optionally electropolished)
- Available in all common connection sizes and variants



Product variants described in the data sheet may differ from the product presentation and description.

### Can be combined with

	<b>Type 2034</b> Multifunction block and weld solution	▶
	<b>Type 2031</b> 2/2-way diaphragm valve with pneumatic plastic actuator (Type CLASSIC)	▶
	<b>Type 2063</b> 2/2 way diaphragm valve with pneumatic actuator in stainless steel (Type INOX)	▶
	<b>Type 2036</b> Robolux multiway multiport diaphragm valve, pneumatically operated	▶
	<b>Type 8036</b> Inline flowmeter with paddle wheel, ELEMENT design	▶

### Type description

The manually operated diaphragm valve Type 3233 consists of a manually operated actuator, a diaphragm and a 2-way valve body. The manual actuator, optionally with a plastic or stainless steel handwheel, ensures use in hygienic or aggressive ambient conditions. The flow-efficient valve bodies with little dead space enable high flow rates and a wide range of possible uses.

The valve body and the diaphragm are available in all common materials and variants. The actuator has a compact, autoclavable design and is compatible with all other Bürkert diaphragm valves. An explosion-proof ATEX / IECEx device variant is available. The add-on body and the handwheel are optionally available in plastic or stainless steel and are equipped with an integrated optical position indicator. The manual actuator can be optionally equipped with a stroke limiter, sensors for position feedback and a locking function.

## Table of contents

<b>1. General technical data</b>	<b>3</b>
<b>2. Approvals</b>	<b>4</b>
<b>3. Materials</b>	<b>5</b>
3.1. Chemical Resistance Chart – Bürkert resistApp.....	5
3.2. Pressure temperature diagram for plastic body.....	5
3.3. Material specifications.....	6
3.4. Example of available membrane materials.....	6
<b>4. Dimensions</b>	<b>7</b>
4.1. Actuator.....	7
Handwheel.....	7
4.2. Forged body (VS) with welded connection.....	7
4.3. Forged body (VS) with clamp connection.....	9
4.4. Tube valve body (VP) with welded connection.....	10
4.5. Tube valve body (VP) with clamp connection.....	11
4.6. Tube valve body (VP) with threaded connection.....	12
4.7. Tube valve body (VP) with flange connection.....	13
4.8. Cast body (VG) with welded connection.....	14
4.9. Cast body (VG) with clamp connection.....	16
4.10. Plastic body (PV, PD, PP) with spigot connection.....	17
4.11. Plastic body (PV, PD, PP) with true union.....	18
4.12. Plastic body (PV, PD, PP) with flange connection.....	19
<b>5. Performance specifications</b>	<b>20</b>
5.1. Flow characteristics.....	20
Forged body (VS).....	20
Tube valve body (VP).....	20
Cast body (VG).....	21
Plastic body (PV; PD; PP).....	21
5.2. Medium pressure.....	21
<b>6. Ordering information</b>	<b>22</b>
6.1. Bürkert eShop – Easy ordering and quick delivery.....	22
6.2. Bürkert product filter.....	22
6.3. Bürkert product enquiry form.....	22

## 1. General technical data

Product properties	
Dimensions	Detailed information can be found in chapter "4. Dimensions" on page 7.
<b>Material</b>	
Forged body (VS) <sup>1)</sup>	Forged stainless steel 316L/1.4435/BN2, Fe <0.5 %/C ≤0.03 %
Tube valve body (VP) <sup>1)</sup>	Stainless steel 316L/1.4435/BN2
Cast body (VG) <sup>1)</sup>	Cast stainless steel 316L/1.4435
Plastic body (PV; PD; PP) <sup>1)</sup>	PVC (PVC-U); PVDF; PP
Diaphragm	EPDM (AD) <sup>1)</sup> , PTFE/EPDM (EA) <sup>1)</sup> , advanced PTFE/EPDM (EU) <sup>1)</sup> , Gylon®/EPDM laminated (ER) <sup>1)</sup>
Actuator (actuator/handwheel) - Diaphragm size 8...50	PPS (Stainless steel on request)/PPS (Stainless steel on request)
Actuator (actuator/handwheel) - Diaphragm size 65...100	Stainless steel/Stainless steel
Diaphragm size	8...100; for tube valve body 8...50; for plastic body 15...100
<b>Standard surface quality</b>	
Forged body (VS) <sup>1)</sup>	Internal electrically polished : Ra ≤0.38 µm (NO17) <sup>1)</sup> (ASME BPE SF4/DIN HE4) (external forged surface electrically polished) Internal mechanically polished : Ra ≤0.5 µm (NO14) <sup>1)</sup> (ASME BPE SF1) (external forged surface)
Tube valve body (VP) <sup>1)</sup>	Internal electrically polished : Ra ≤0.38 µm (NO17) <sup>1)</sup> (ASME BPE SF4/DIN HE4) External glass bead blasted: Ra ≤1.6 µm (NO01) <sup>1)</sup> Internal glass bead blasted: Ra ≤1.6 µm (NO05) <sup>1)</sup>
Cast body (VG) <sup>1)</sup>	Internal electrically polished : Ra ≤0.6 µm (NO16) <sup>1)</sup> (ASME BPE SF6) (external cast surface electrically polished) Internal mechanically polished : Ra ≤0.76 µm (NO06) <sup>1)</sup> (ASME BPE SF3/DIN H2) (external cast surface)
<b>Medium data</b>	
Operating medium	Neutral gases and fluids, highly purified, sterile, aggressive or abrasive medium (see <b>Resistance Chart</b> ▶)
<b>Medium temperature</b>	
EPDM (AD) <sup>1)</sup>	-10...+143 °C (steam sterilisation +150 °C for 60 min)
PTFE/EPDM (EA) <sup>1)</sup>	-10...+130 °C (steam sterilisation +140 °C for 60 min)
advanced PTFE/EPDM (EU) <sup>1)</sup>	-5...+143 °C (steam sterilisation +150 °C for 60 min)
GYLON®/EPDM laminated (ER) <sup>1)</sup>	-5...+130 °C (steam sterilisation +140 °C for 60 min)
Plastic body	See "3.2. Pressure temperature diagram for plastic body" on page 5
<b>Process/Port connection &amp; communication</b>	
Nominal diameter	DN06...DN100 (1/8" ... 4")
<b>Port connections<sup>2)</sup></b>	
<b>For Stainless steelgehäuse<sup>3)</sup></b>	
Welded connection <sup>2)</sup>	DIN EN ISO 1127/ISO 4200/DIN 11866 series B DIN 11850 series 2/DIN 11866 series A/DIN EN 10357 series A ASME BPE/DIN 11866 series C
Clamp connection <sup>2)</sup>	DIN 32676 series A (DIN pipe) DIN 32676 series B (ISO pipe) ASME BPE
<b>For plastic body</b>	
Spigot connection	DN15...DN50
True union	DN15...DN50
Loose flange	DN15...DN65

### Environment and installation

Installation position See operating manual ▶

#### Ambient temperature: actuator (actuator/handwheel)<sup>4)</sup>

PPS/PPS	0...+130 °C (short-term up to +150 °C) <sup>5)</sup>
Stainless steel/PPS	0...+130 °C (short-term up to +150 °C) <sup>5)</sup>
Stainless steel/Stainless steel	-10...+140 °C (short-term up to +150 °C) <sup>5)</sup>

- 1.) This information is part of the product key (see product enquiry form at the end of this data sheet)
- 2.) Further versions on request
- 3.) Tube valve body (VP) also available with flange and threaded connections
- 4.) With plastic housings temperature limitation by housing material possible
- 5.) For standard version

## 2. Approvals

### Note:

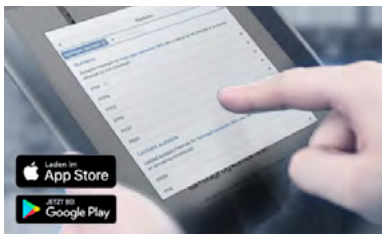
If you need one of these certificates, please contact your Bürkert partner.

Approvals/ Conformity/ Certificate <sup>1.)</sup>	Description
	<b>ATEX/IECEX<sup>2)</sup></b> EPS 18 ATEX 2 008 X II 2G Ex h IIC T4 Gb/II 2D Ex h IIIC T135 °C Db IECEX EPS 18.0007X Ex h IIC T4 Gb/Ex h IIIC T135 °C Db
<b>TA-Air</b>	TA-Air <sup>3)</sup>
	3-A (3-A Sanitary Standards Symbol Administrative Council) <sup>4)</sup>
	The diaphragms made of EPDM (AD), PTFE/EPDM (EA), advanced PTFE/EPDM (EU) and GYLON®/EPDM laminated (ER) are suitable for use with food and beverages (acc. to EC Regulation 1935/2004/EC).
	Diaphragms made of EPDM (AD), PTFE/EPDM (EA), advanced PTFE/EPDM (EU) and GYLON®/EPDM laminated (ER) are acc. to USP Class VI tested.
<b>FDA</b>	Diaphragms made of EPDM (AD), PTFE/EPDM (EA), advanced PTFE/EPDM (EU) and GYLON®/EPDM laminated (ER) comply with the Code of Federal Regulations published by the FDA (Food and Drug Administration, USA).

- 1.) Further approvals/conformity clarification on request
- 2.) Only in combination with variable code «PX51» (see product enquiry form at the end of this data sheet)
- 3.) Only in combination with variable code «PM01» (see product enquiry form at the end of this data sheet)
- 4.) Only in combination with variable code «PE05» (see product enquiry form at the end of this data sheet)

### 3. Materials

#### 3.1. Chemical Resistance Chart – Bürkert resistApp



**Bürkert resistApp – Chemical Resistance Chart**

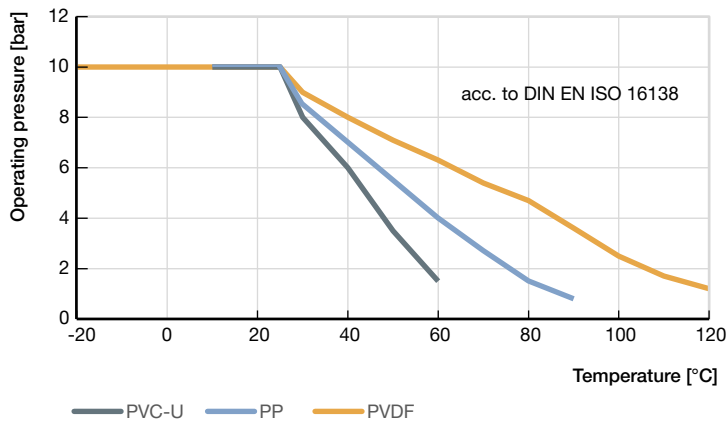
You want to ensure the reliability and durability of the materials in your individual application case? Verify your combination of media and materials on our website or in our resistApp.

[Start Chemical Resistance Check](#)

#### 3.2. Pressure temperature diagram for plastic body

**Note:**

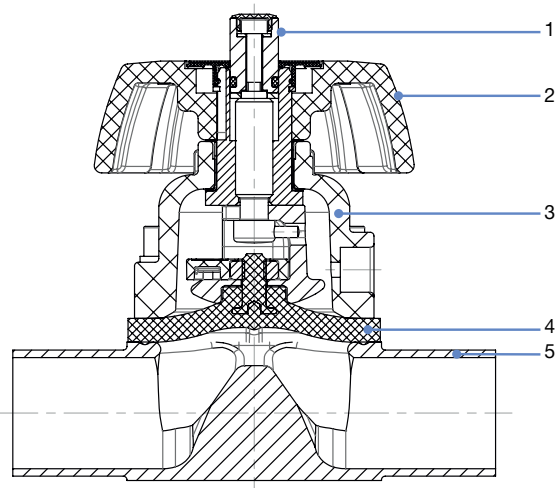
This information is important for material selection. Observe the permissible operating pressure depending on the medium temperature.



### 3.3. Material specifications

**Note:**

Your product variant may differ from this illustration depending on the housing and interface options.



No.	Element	Material
1	Optical position indicator	Diaphragm size 15...50: polyoxymethylene Diaphragm size 65...100: stainless steel
2	Hand-wheel	Diaphragm size 8...50: polyphenylene sulphide PPS (stainless steel on request) Diaphragm size 65...100: stainless steel
3	Actuator	Diaphragm size 8...50: polyphenylene sulphide PPS (stainless steel on request) Diaphragm size 65...100: stainless steel
4	Diaphragm	EPDM (AD), PTFE/EPDM (EA), advanced PTFE/EPDM (EU), Gylon@/EPDM laminated (ER)
5	Valve body	See "1. General technical data" on page 3

### 3.4. Example of available membrane materials

The diaphragms have been developed to meet the unique challenges of hygienic and sterile requirements. Bürkert offers diaphragms with precise material composition and high accuracy. Bürkert diaphragms are available in a wide range of materials which have been tested and proven in applications in the food and beverage, biotechnology, pharmaceutical and cosmetics industries. The diaphragms are tested during development and production to ensure reliability under difficult process conditions.



- EPDM (AD)
- PTFE/EPDM (EA)
- advanced PTFE/EPDM (EU)
- Gylon@/EPDM laminated (ER)

For further information please refer to our flyer "Diaphragm competence for hygienic applications" on our [website](#) ▶.

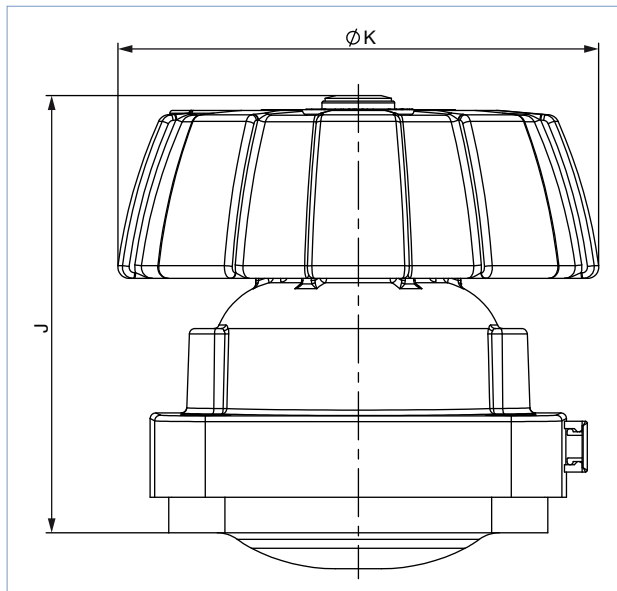
## 4. Dimensions

### 4.1. Actuator

#### Handwheel

#### Note:

Dimensions in mm, unless otherwise stated

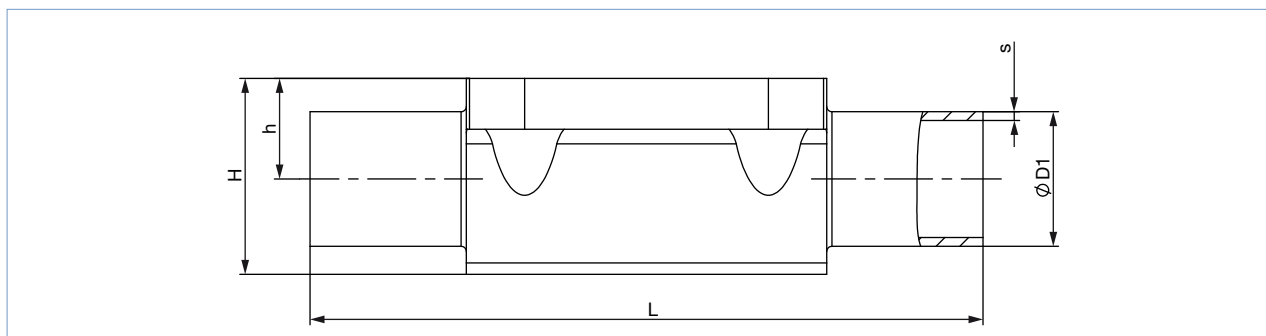


Diaphragm size	$\varnothing K$	J
8	35	48
15	85	74
20	86	82
25	86	78
32	114	101
40	114	100
50	114	117
65	272	188
80	272	196
100	272	207

### 4.2. Forged body (VS) with welded connection

#### Note:

- Dimensions in mm, unless otherwise stated
- For detailed information on the draining angle, please refer to the “Additional manual Type 2xxx 3xxx” on our website (see [operating instructions](#) ▶).



Diaphragm size	Port connection DN	$\varnothing D1$	s	L	h	H	Product key <sup>1)</sup>
<b>DIN EN ISO 1127/ISO 4200/DIN 11866 series B</b>							
8	8	13.5	1.6	90	9.3	18.8	SA40
15	8	13.5	1.6	108	8.15	19.85	SA40
8	10	17.2	1.6	90	9.3	18.8	SA41
15	10	17.2	1.6	110	12.05	23.75	SA41
15	15	21.3	1.6	110	12.05	23.75	SA42
20	15	21.3	1.6	119	16	30.3	SA42
20	20	26.9	1.6	119	16	30.3	SA43
25	20	26.9	1.6	119	19	37	SA43
25	25	33.7	2.0	129	19	37	SA44

Diaphragm size	Port connection DN	ØD1	s	L	h	H	Product key <sup>1.)</sup>
40	25	33.7	2.0	161	27.6	52.4	SA44
40	32	42.4	2.0	161	27.6	52.4	SA45
40	40	48.3	2.0	161	27.6	52.4	SA46
50	50	60.3	2.0	192	35.5	68.3	SA47
80	65	76.1	2.0	250	51	98.1	SA48
80	80	88.9	2.3	250	51	98.1	SA49
<b>DIN 11850 series 2/DIN 11866 series A/DIN EN 10357 series A</b>							
8	10	13	1.5	90	9.3	18.8	SD40
15	10	13	1.5	110	8.15	19.85	SD40
15	15	19	1.5	110	12.05	23.75	SD42
20	20	23	1.5	119	16.0	30.3	SD43
25	25	29	1.5	129	19.0	37.0	SD44
40	32	35	1.5	161	27.6	52.4	SD45
40	40	41	1.5	161	27.6	52.4	SD46
50	50	53	1.5	192	35.5	68.3	SD47
80	65	70	2.0	250	51.0	98.1	SD48
80	80	85	2.0	250	51.0	98.1	SD49
<b>ASME BPE/DIN 11866 series C</b>							
8	¼"	6.35	0.89	78	5.7	15.2	SA90
8	⅜"	9.53	0.89	89	5.7	15.2	SA91
8	½"	12.7	1.65	89	9.3	18.8	SA92
15	½"	12.7	1.65	108	8.15	19.85	SA92
15	¾"	19.05	1.65	108	12.05	23.75	SA93
20	¾"	19.05	1.65	117	16.0	30.3	SA93
25	1"	25.4	1.65	127	19.0	37.0	SODF
40	1½"	38.1	1.65	159	27.6	52.4	SODH
50	2"	50.8	1.65	190	35.5	68.3	SODI
50	2½"	63.5	1.65	192	35.5	68.6	SODJ
80	2½"	63.5	1.65	250	51.0	98.1	SODJ
80	3"	76.2	1.65	250	51.0	98.1	SODK
<b>BS 4825</b>							
8	8	6.35	1.20	78	5.7	15.2	SODB
8	10	9.53	1.20	89	5.7	15.2	SODC
15	15	12.7	1.20	108	8.15	19.85	SODD
20	20	19.05	1.20	117	16.0	30.3	SODE
25	25	25.4	1.65	127	19.0	37.0	SODF
40	40	38.1	1.65	159	27.6	52.4	SODH
50	50	50.8	1.65	190	35.5	68.3	SODI
50	65	63.5	1.65	192	35.5	68.6	SODJ
80	80	63.5	1.65	250	51.0	98.1	SODJ
80	80	76.2	1.65	250	51.0	98.1	SODK
<b>SMS 3008</b>							
25	25	25	1.2	129	19	37	SA60
40	40	38	1.2	161	27.6	52.4	SA62
50	50	51	1.2	192	35.5	68.3	SA63
<b>DIN 11850 series 0</b>							
8	6	8	1.0	90	5.7	15.2	SC41
8	8	10	1.0	90	5.7	15.2	SC42

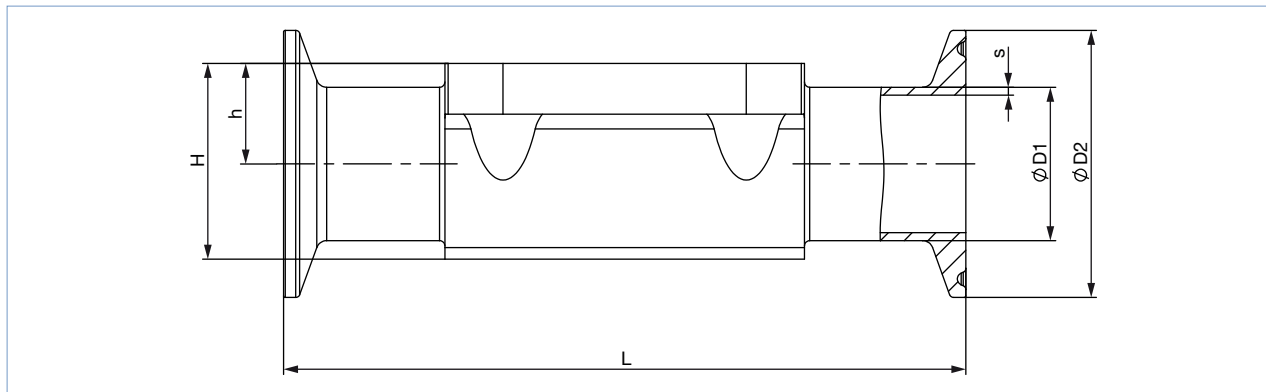
1.) This information is part of the product key (see product enquiry form at the end of this data sheet)



### 4.3. Forged body (VS) with clamp connection

**Note:**

- Dimensions in mm, unless otherwise stated
- For detailed information on the draining angle, please refer to the “Additional manual Type 2xxx 3xxx” on our website (see [operating instructions](#) ▶).



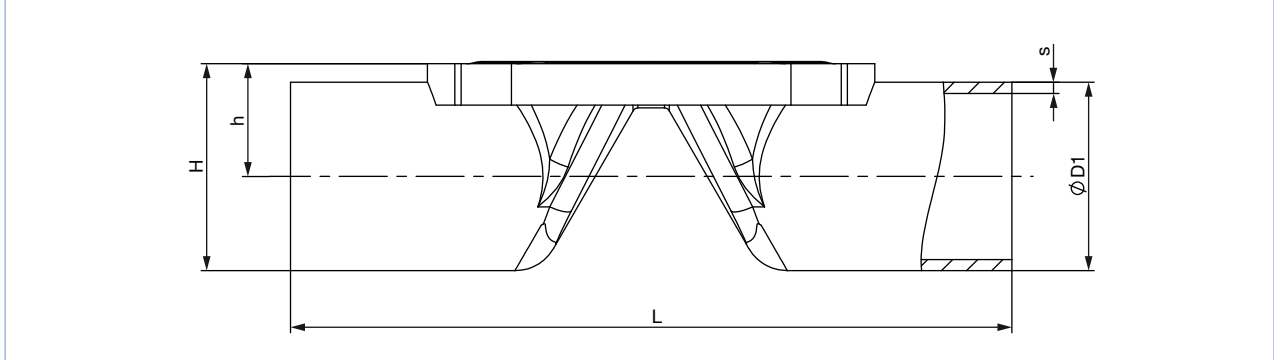
Diaphragm size	Port connection DN	ØD1	s	ØD2	L	h	H	Product key <sup>1.)</sup>	Variable code <sup>1.)</sup>
<b>DIN 32676 series B (ISO pipe)</b>									
15	15	21.3	1.6	50.5	167	12.05	23.75	TC53	–
20	20	26.9	1.6	50.5	114	16.0	30.3	TC43	–
25	25	33.7	2	50.5	129	19	37	TC44	–
40	40	48.3	2	64.0	161	27.6	52.4	TC46	–
50	50	60.3	2	77.5	190	35.5	68.3	TC47	–
<b>DIN 32676 series A (DIN pipe)</b>									
8	10	13	1.5	34.0	126	9.3	18.8	TD41	–
15	10	13	1.5	34.0	110	8.15	19.85	TD41	–
15	15	19	1.5	34.0	110	12.05	23.75	TD42	–
20	20	23	1.5	34.0	119	16	30.3	TD43	–
25	25	29	1.5	50.5	129	19	37	TD44	–
40	40	41	1.5	50.5	161	27.6	52.4	TD46	–
50	50	53	1.5	64.0	192	35.5	68.3	TD47	–
<b>ASME BPE</b>									
8	¼"	6.35	0.89	25.0	64.5	5.7	15.2	TG50	–
8	⅜"	9.53	0.89	25.0	89	5.7	15.2	TG01	AF34
8	½"	12.7	1.65	25.0	64	9.3	18.8	TG02	–
8	½"	12.7	1.65	25.0	89	9.3	18.8	TG02	AF34
15	½"	12.7	1.65	25.0	89	8.15	19.85	TG02	–
15	½"	12.7	1.65	25.0	108	8.15	19.85	TG02	AF34
15	¾"	19.05	1.65	25.0	89	12.05	23.75	TG03	–
20	¾"	19.05	1.65	25.0	102	16	30.3	TG03	–
20	¾"	19.05	1.65	25.0	117	16	30.3	TG03	AF34
25	1"	25.4	1.65	50.5	114	19	37	TG04	–
25	1"	25.4	1.65	50.5	127	19	37	TG04	AF34
40	1½"	38.1	1.65	50.5	140	27.6	52.4	TG05	–
40	1½"	38.1	1.65	50.5	159	27.6	52.4	TG05	AF34
50	2"	50.8	1.65	64.0	159	35.5	68.3	TG06	–
50	2"	50.8	1.65	64.0	190	35.5	68.3	TG06	AF34
65	2½"	63.5	1.65	77.5	249	43	83.5	TG07	–
80	2½"	63.5	1.65	77.5	216	51	98.1	TG07	–
80	3"	76.2	1.65	91.0	222	51	98.1	TG08	–

1.) This information is part of the product key (see product enquiry form at the end of this data sheet)

#### 4.4. Tube valve body (VP) with welded connection

**Note:**

- Dimensions in mm, unless otherwise stated
- For detailed information on the draining angle, please refer to the “Additional manual Type 2xxx 3xxx” on our website (see [operating instructions](#) ▶).



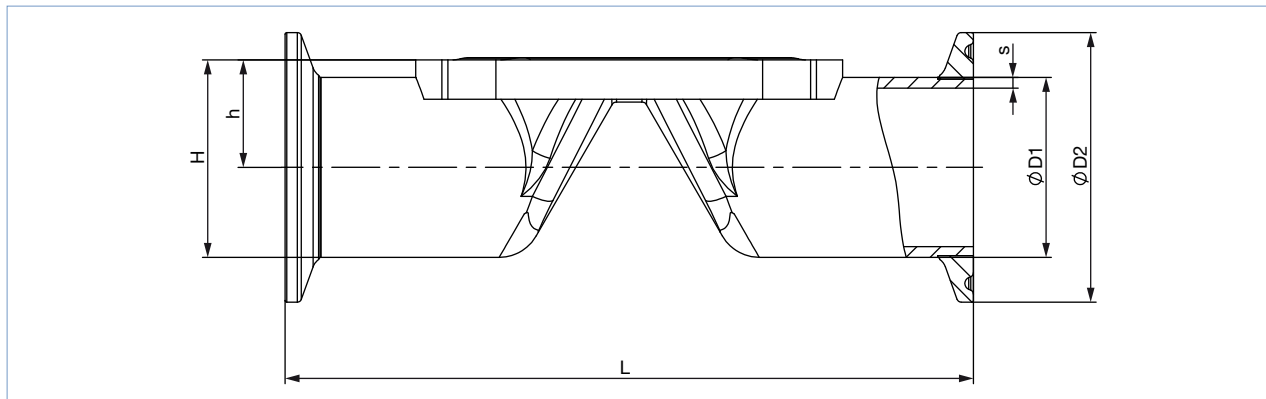
Diaphragm size	Port connection DN	ØD1	s	L	h	H	Product key <sup>1.)</sup>
<b>DIN EN ISO 1127/ISO 4200/DIN 11866 series B</b>							
8	8	13.5	1.6	90.0	9.85	16.6	SA40
8	10	17.2	1.6	90.0	11.70	20.3	SA41
15	15	21.3	1.6	110.0	14.35	25.0	SA42
20	20	26.9	1.6	119.0	17.15	30.45	SA43
25	25	33.7	2.0	129.0	20.55	37.4	SA44
32	32	42.4	2.0	148.0	25.10	46.3	SA45
40	40	48.3	2.0	161.0	29.35	53.5	SA46
50	50	60.3	2.0	192.0	35.35	65.50	SA47
<b>DIN 11850 series 2/DIN 11866 series A/DIN EN 10357 series A</b>							
8	10	13	1.5	90	9.85	16.35	SD40
15	15	19	1.5	110	13.20	22.70	SD42
15	20	23	1.5	119	15.20	26.70	SD43
20	25	29	1.5	129	18.20	32.70	SD44
25	32	35	1.5	148	21.20	38.70	SD45
32	40	41	1.5	161	24.40	44.90	SD46
40	50	53	1.5	192	31.70	58.20	SD47
<b>ASME BPE/DIN 11866 series C</b>							
8	½"	12.7	1.65	90.0	9.45	21.95	SA92
15	¾"	19.05	1.65	117.0	13.23	25.73	SA93
20	1"	25.4	1.65	127.0	16.40	41.65	SODF
32	1½"	38.1	1.65	159.0	22.95	48.20	SODH
40	2"	50.8	1.65	190	30.60	62.60	SODI
50	2½"	63.5	1.65	192	37.35	69.1	SODJ
65	3"	76.2	1.65	250	46.3	84.4	SODK
80	4"	101.6	2.11	295	60	110.8	SODL

1.) This information is part of the product key (see product enquiry form at the end of this data sheet)

#### 4.5. Tube valve body (VP) with clamp connection

**Note:**

- Dimensions in mm, unless otherwise stated
- For detailed information on the draining angle, please refer to the “Additional manual Type 2xxx 3xxx” on our website (see [operating instructions](#) ▶).



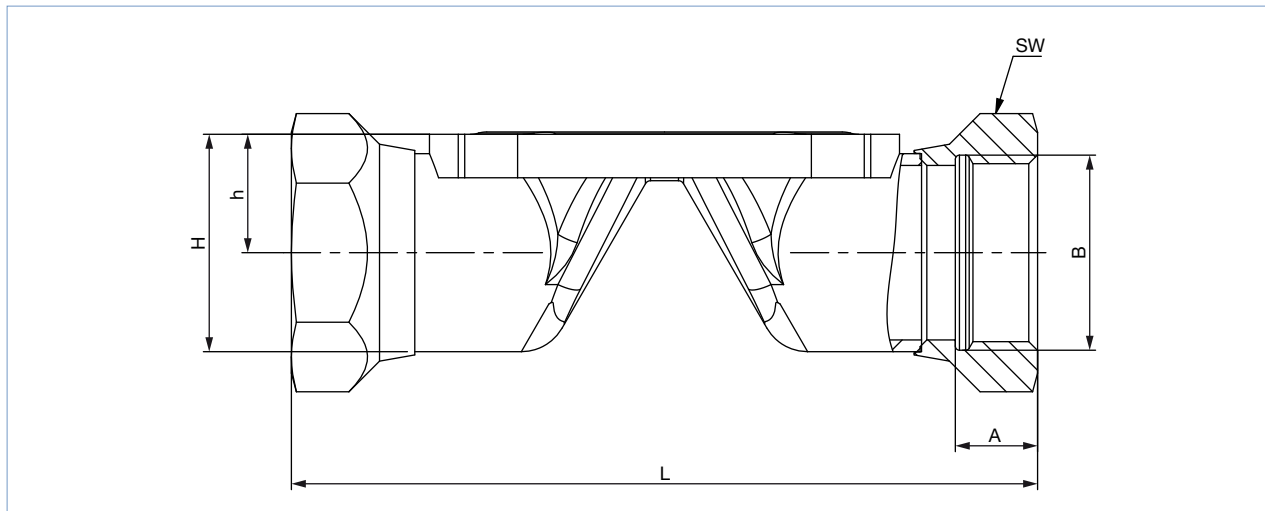
Diaphragm size	Port connection DN	ØD1	s	ØD2	L	h	H	Product key <sup>1.)</sup>
<b>DIN 32676 series B (ISO pipe)</b>								
8	8	13.5	1.6	25.0	89	9.85	22.35	TC40
8	10	17.2	1.6	25.0	89	11.70	24.20	TC53
15	15	21.3	1.6	50.5	110	14.35	39.60	TC52
20	20	26.9	1.6	50.5	119	17.15	42.40	TC43
25	25	33.7	2.0	50.5	129	20.55	45.80	TC44
32	32	42.4	2.0	64.0	148	25.10	57.10	TC55
40	40	48.3	2.0	64.0	161	29.35	61.35	TC46
50	50	60.3	2.0	77.5	192	35.35	74.10	TC47
<b>DIN 32676 series A (DIN pipe)</b>								
8	10	13.0	1.5	34.0	89	9.85	26.85	TD41
15	15	19.0	1.5	34.0	110	13.2	30.20	TD42
15	20	23.0	1.5	34.0	119	15.20	32.20	TD43
20	25	29.0	1.5	50.5	129	18.20	43.45	TD44
25	32	35.0	1.5	50.5	148	21.20	46.45	TD45
32	40	41.0	1.5	50.5	161	24.40	49.65	TD46
40	50	53.0	1.5	64.0	192	31.70	63.70	TD47
<b>ASME BPE</b>								
8	½"	12.7	1.65	25.0	89	9.45	21.95	TG02
15	¾"	19.05	1.65	25.0	102	13.20	25.73	TG03
20	1"	25.4	1.65	50.5	114	16.40	41.65	TG04
32	1½"	38.10	1.65	50.5	140	22.95	48.20	TG05
40	2"	50.80	1.65	64.0	159	30.60	62.60	TG06
50	2½"	63.5	1.65	77.5	190	37.35	69.1	TG07

1.) This information is part of the product key (see product enquiry form at the end of this data sheet)

#### 4.6. Tube valve body (VP) with threaded connection

**Note:**

- Dimensions in mm, unless otherwise stated
- For detailed information on the draining angle, please refer to the “Additional manual Type 2xxx 3xxx” on our website (see [operating instructions](#) ▶).



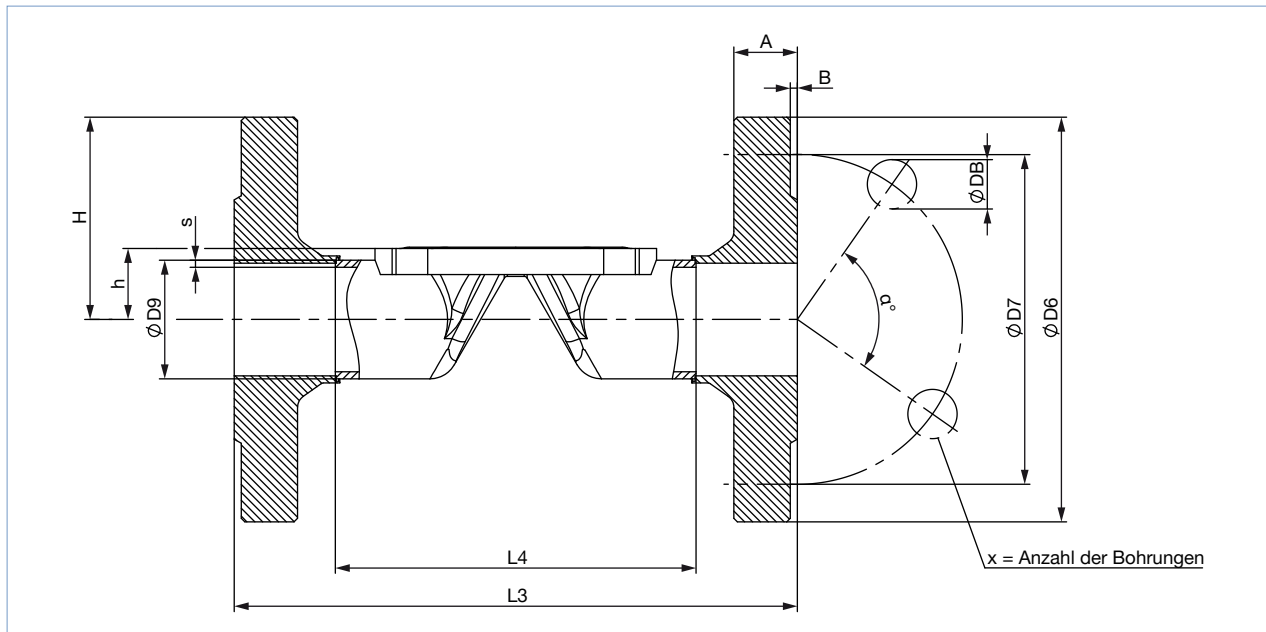
Diaphragm size	L	A	B	h	H	Spanner width of threaded ports	Product key <sup>1.)</sup>
08	85	9	G ¼	11.70	20.3	17	GM82
15	102	14	G ½	14.35	25.0	27	GM84
20	118	12	G ¾	17.15	30.45	32	GM85
25	127	14	G 1	20.55	37.4	41	GM86
32	146	16	G 1¼	25.10	46.3	50	GM87
40	159	18	G 1½	29.35	53.5	60	GM88
50	191	20	G 2	35.35	65.50	70	GM89
Diaphragm size	L	A	B	h	H	Spanner width of threaded ports	Product key <sup>1.)</sup>
08	85	9.7	Rc ¼	11.70	20.3	17	RC82
15	102	13.2	Rc ½	14.35	25.0	27	RC84
20	118	14.5	Rc ¾	17.15	30.45	32	RC85
25	127	16.8	Rc 1	20.55	37.4	41	RC86
32	146	19.1	Rc 1¼	25.10	46.3	50	RC87
40	159	19.1	Rc 1½	29.35	53.5	60	RC88
50	191	23.4	Rc 2	35.35	65.50	70	RC89
Diaphragm size	L	A	B	h	H	Spanner width of threaded ports	Product key <sup>1.)</sup>
08	85	10	NPT ¼	11.70	20.3	17	NM82
15	102	13.7	NPT ½	14.35	25.0	27	NM84
20	118	14	NPT ¾	17.15	30.45	32	NM85
25	127	16.8	NPT 1	20.55	37.4	41	NM86
32	146	17.3	NPT 1¼	25.10	46.3	50	NM87
40	159	17.3	NPT 1½	29.35	53.5	60	NM88
50	191	17.6	NPT 2	35.35	65.50	70	NM89

1.) This information is part of the product key (see product enquiry form at the end of this data sheet)

4.7. Tube valve body (VP) with flange connection

Note:

- Dimensions in mm, unless otherwise stated
- For detailed information on the draining angle, please refer to the “Additional manual Type 2xxx 3xxx” on our website (see **operating instructions** ▶).



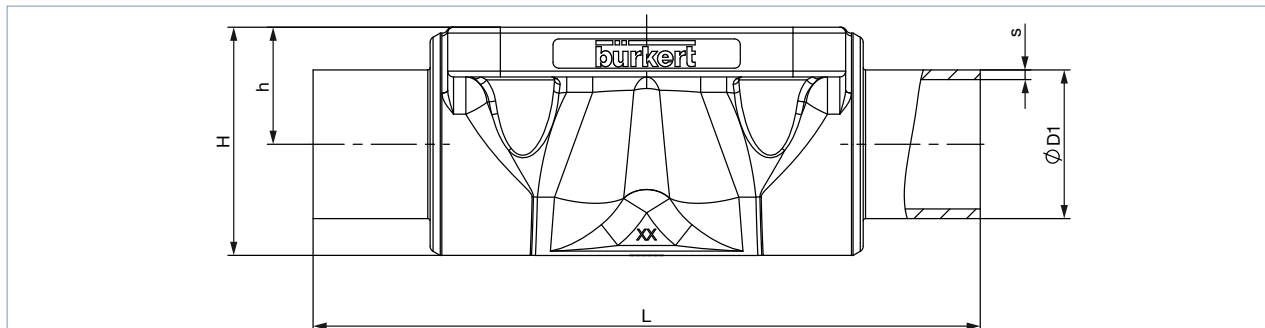
Diaphragm size	L4	L3	s3	ØD9	ØD6	ØD7	a°	ØDB	A	B	X	Product key <sup>1.)</sup>
<b>DIN EN 1092-1</b>												
15	76.5	130	1.6	21.3	76.5	65.0	90	14	16	2	4	FD22
20	92.5	150	1.6	26.9	92.5	75.0	90	14	18	2	4	FD23
25	102.5	160	2.0	33.7	102.5	85.0	90	14	18	2	4	FD24
32	122.5	180	2.0	42.4	122.5	100.0	90	18	18	2	4	FD25
40	136.5	200	2.0	48.3	136.5	110.0	90	18	18	3	4	FD26
50	160.5	230	2.0	60.3	160.5	125.0	90	18	20	3	4	FD27
<b>ANSI B16.5</b>												
15	67.0	130	1.6	21.3	89	60.5	90	15.7	11.2	1.6	4	FA02
25	106.0	160	2.0	33.7	108	79.2	90	15.7	14.2	1.6	4	FA04
40	128.0	200	2.0	48.3	127	98.6	90	15.7	17.5	1.6	4	FA06
50	151.0	230	2.0	60.3	152	120.7	90	19.1	19.1	1.6	4	FA07
<b>JIS 10K</b>												
15	89	130	1.6	21.3	95	70	90	15	12	1	4	FJ01
20	103	150	1.6	26.9	100	75	90	15	14	1	4	FJ02
25	116	160	2.0	33.7	125	90	90	19	14	1	4	FJ03
40	147	200	2.0	48.3	140	105	90	19	16	2	4	FJ05
50	175	230	2.0	60.3	155	120	90	19	16	2	4	FJ06

1.) This information is part of the product key (see product enquiry form at the end of this data sheet)

#### 4.8. Cast body (VG) with welded connection

**Note:**

- Dimensions in mm, unless otherwise stated
- For detailed information on the draining angle, please refer to the “Additional manual Type 2xxx 3xxx” on our website (see **operating instructions** ▶).



Diaphragm size	Port connection DN	ØD1	s	L	h	H	Product key <sup>1,3)</sup>
<b>DIN EN ISO 1127/ISO 4200/DIN 11866 series B</b>							
8	8	13.5	1.6	90	9.6	18.5	SA40
8	10	17.2	1.6	90	9.6	18.6	SA41
15	15	21.3	1.6	110	13.5	25.0	SA42
20	15	21.3	1.6	119	18.0	32.9	SA42
20	20	26.9	1.6	119	18.0	32.7	SA43
25	25	33.7	2.0	129	20.0	39.0	SA44
40	32	42.4	2.0	161	28.6	55.0	SA45
40	40	48.3	2.0	161	28.6	55.0	SA46
50	50	60.3	2.0	192	35.5	68.0	SA47
65	65	76.1	2.0	192	43.0	82.0	SA48
80	80	76.1	2.0	250	51.0	101.0	SA48
80	80	88.9	2.3	250	51.0	101.0	SA49
100	100	114.3	2.3	295	63.5	123.5	SA39
<b>DIN 11850 series 2/DIN 11866 series A/DIN EN 10357 series A</b>							
8	10	13	1.5	90	9.6	18.6	SD40
15	15	19	1.5	110	13.5	25.0	SD42
20	20	23	1.5	119	18.0	32.8	SD43
25	25	29	1.5	129	20.0	39.0	SD44
40	40	41	1.5	161	28.6	55.0	SD46
50	50	53	1.5	192	35.5	68.0	SD47
65	65	70	2.0	192	43.0	82.0	SD48
80	80	85	2.0	250	51.0	101.0	SD49
100	100	104	2.0	295	63.5	123.5	SD50
<b>ASME BPE/DIN 11866 series C</b>							
8	1/4"	6.35	0.89	64.5	9.6	18.6	SA90
8	3/8"	9.53	0.89	89	9.6	18.6	SA91
8	1/2"	12.7	1.65	89	9.6	18.6	SA92
15	3/4"	19.05	1.65	102	13.5	25.0	SA93
20	3/4"	19.05	1.65	119	18.0	32.8	SA93
20	1"	25.4	1.65	119	18.0	32.7	SODF
25	1"	25.4	1.65	114	20.0	39.0	SODF
40	1 1/2"	38.1	1.65	140	28.6	55.0	SODH
50	2"	50.8	1.65	159	35.5	68.0	SODI
50	2 1/2"	63.5	1.65	192	35.5	68.0	SODJ
65	2 1/2"	63.5	1.65	192	43.0	82.0	SODJ
80	3"	76.2	1.65	250	51.0	101.0	SODK
100	4"	101.6	2.11	295	63.5	123.5	SODL

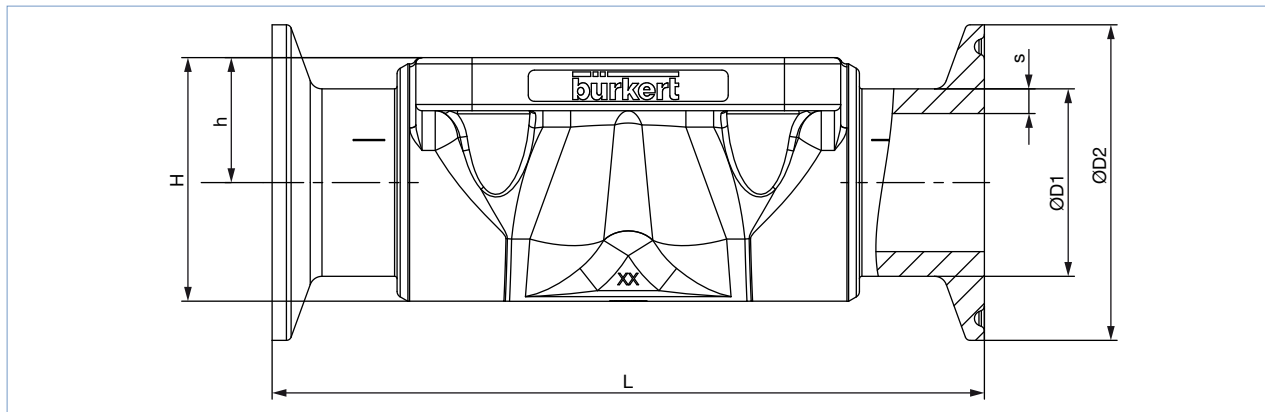
Diaphragm size	Port connection DN	ØD1	s	L	h	H	Product key <sup>1.)</sup>
<b>BS 4825</b>							
8	8	6.35	1.20	64.5	9.6	18.6	SODB
8	10	9.53	1.20	89	9.6	18.6	SODC
8	15	12.7	1.20	89	9.6	18.6	SODD
15	20	19.05	1.20	102	14.0	25.5	SODE
20	25	25.4	1.65	119	18.0	32.8	SODF
25	25	25.4	1.65	114	20.0	39.0	SODF
40	40	38.1	1.65	140	28.6	55.0	SODH
50	50	50.8	1.65	159	35.5	68.0	SODI
50	65	63.5	1.65	192	35.5	68.0	SODJ
65	65	63.5	1.65	192	43.0	82.0	SODJ
80	80	76.2	1.65	250	51.0	101.0	SODK
100	100	101.6	2.11	295	63.5	123.5	SODL
<b>SMS 3008</b>							
20	25	25	1.2	119	18.0	32.8	SA60
25	25	25	1.2	129	20.0	39.0	SA60
40	40	38	1.2	161	28.6	55.0	SA62
50	50	51	1.2	192	35.5	68.0	SA63
<b>DIN 11850 series 0</b>							
8	4	6	1.0	90	9.6	18.6	SC40
8	6	8	1.0	90	9.6	18.6	SC41
8	8	10	1.0	90	9.6	18.6	SC42
15	15	18	1.5	110	13.5	25.0	SC43
20	20	22	1.5	119	18.0	32.8	SC44
25	25	28	1.5	129	20.0	39.0	SC45
25	32	34	1.5	129	20.0	39.0	SC46
40	40	40	1.5	161	28.6	56.0	SC47
50	50	52	1.5	192	35.5	68.0	SC48

1.) This information is part of the product key (see product enquiry form at the end of this data sheet)

#### 4.9. Cast body (VG) with clamp connection

**Note:**

- Dimensions in mm, unless otherwise stated
- For detailed information on the draining angle, please refer to the “Additional manual Type 2xxx 3xxx” on our website (see **operating instructions** ▶).



Diaphragm size	Port connection DN	ØD1	s	ØD2	L	h	H	Product key <sup>1.)</sup>
<b>DIN 32676 series B (ISO pipe)</b>								
25	25	33.7	2	50.5	129	20.0	39.0	TC44
40	40	48.3	2	64.0	161	28.6	55.0	TC46
50	50	60.3	2	77.5	192	35.5	68.0	TC47
<b>DIN 32676 series A (DIN pipe)</b>								
15	15	19	1.5	34.0	110	13.5	25.0	TD42
20	20	23	1.5	34.0	119	18.0	32.8	TD43
25	25	29	1.5	50.5	129	20.0	39.0	TD44
40	40	41	1.5	50.5	161	28.6	55.0	TD46
50	50	53	1.5	64.0	192	35.5	68.0	TD47
<b>ASME BPE</b>								
8	3/8"	9.53	0.89	25.0	89	9.6	18.6	TG01
8	1/2"	12.7	1.65	25.0	89	9.6	18.6	TG02
15	3/4"	19.05	1.65	25.0	102	13.5	23.0	TG03
20	3/4"	19.05	1.65	25.0	117	18.0	25.0	TG03
25	1"	25.4	1.65	50.5	114	18.0	40.0	TG04
40	1 1/2"	38.1	1.65	50.5	140	28.6	55.0	TG05
50	2"	50.8	1.65	64.0	159	35.5	68.0	TG06
50	2 1/2"	63.5	1.65	77.5	190	35.5	68.0	TG07
65	2 1/2"	63.5	1.65	77.5	249.2	43.0	82.0	TG07
80	3"	76.2	1.65	91	306.2	51.0	101.0	TG08
100	4"	101.6	2.11	119	352.2	63.5	123.5	TG09
<b>BS 4825: Clamp BS 4825-3/pipe BS 4825-1</b>								
8	15	12.7	1.2	25	89	9.6	18.9	TH42
15	20	19.05	1.2	25	102	13.5	25.0	TH43
25	25	25.4	1.65	50.5	114	20.0	39.0	TG04
40	40	38.1	1.65	50.5	140	28.6	55.0	TG05
50	50	50.8	1.65	64.0	159	35.5	68.0	TG06
50	65	63.5	1.65	77.5	190	35.5	68.0	TG07
<b>Clamp 34.0 similar to DIN 32676 series B (ISO pipe)</b>								
15	15	21.3	1.6	34	110	13.5	25.0	TC42

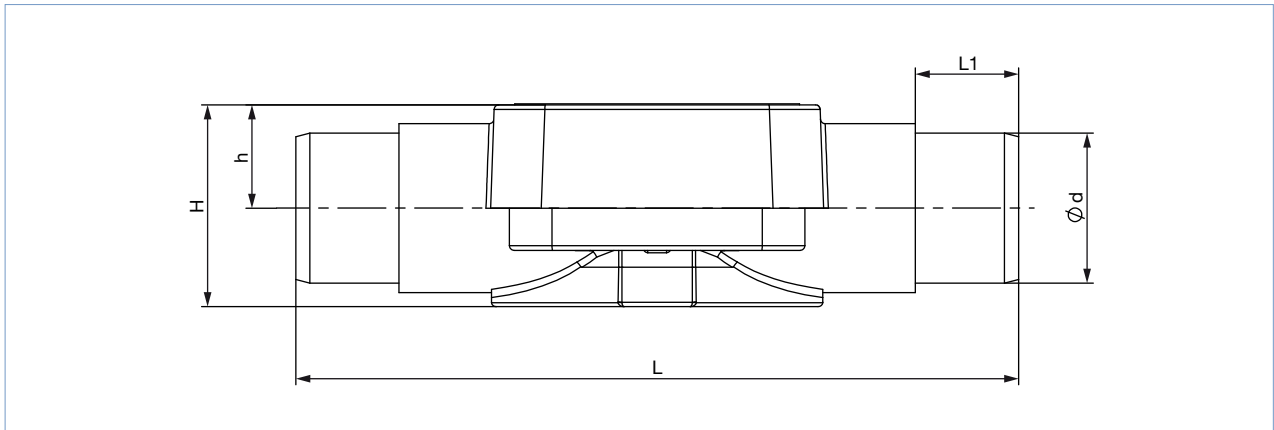
1.) This information is part of the product key (see product enquiry form at the end of this data sheet)



4.10. Plastic body (PV, PD, PP) with spigot connection

Note:

Dimensions in mm, unless otherwise stated



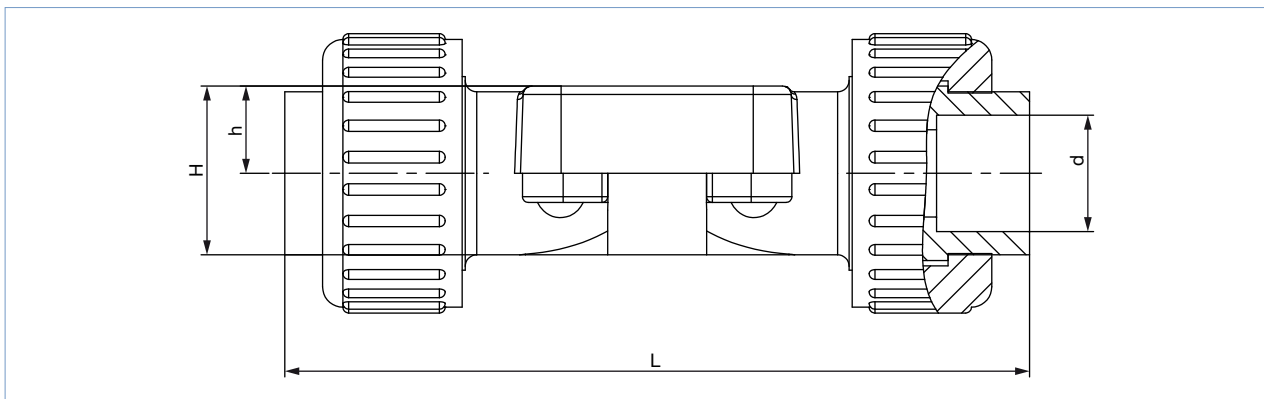
Diaphragm size	Ød	Wall thick-ness	h	H	L	L1	Product key <sup>1.)</sup>
<b>PVC-U (PV)</b>							
15	20	2.5	15	29	124	16	KS25
20	25	2.5	18.5	36	144	19	KS26
25	32	3.5	22	43	154	22	KS27
32	40	4	27	52.5	174	26	KS28
40	50	5	33	65.5	194	31	KS29
50	63	6.5	40	79	224	44	KS30
<b>PVDF (PD) and PP (PP)</b>							
15	20	2.5	15	29	124	16	SS25
20	25	2.5	18.5	36	144	19	SS26
25	32	3.5	22	43	154	22	SS27
32	40	4	27	52.5	174	26	SS28
40	50	5	33	65.5	194	31	SS29
50	63	6.5	40	79	224	44	SS30

1.) This information is part of the product key (see product enquiry form at the end of this data sheet)

4.11. Plastic body (PV, PD, PP) with true union

**Note:**

Dimensions in mm, unless otherwise stated



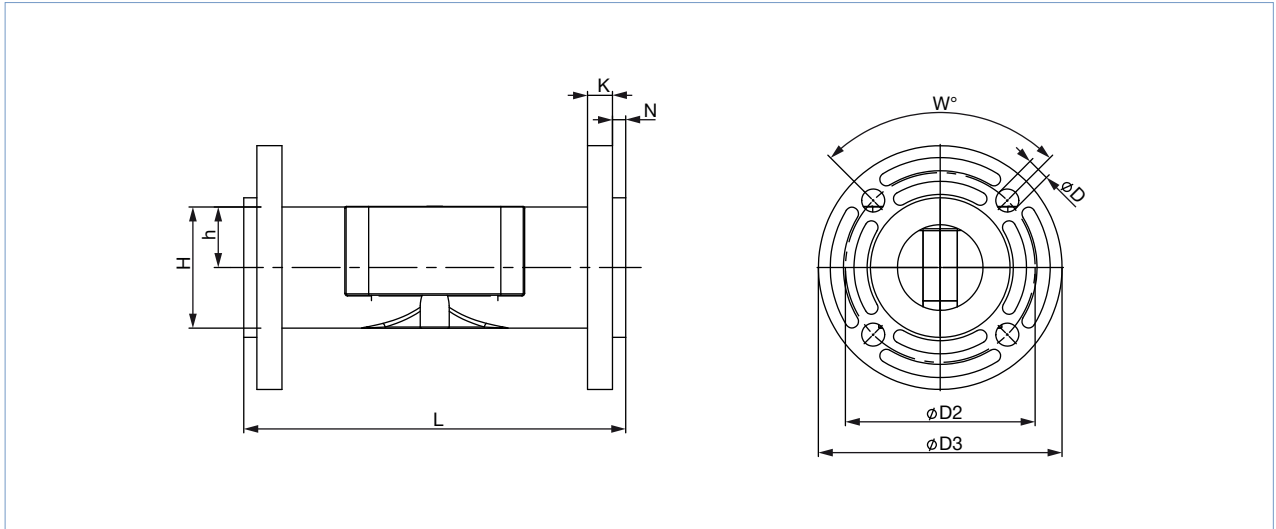
Diaphragm size	L	h	H	Ød	Product key <sup>1.)</sup>
<b>PVC-U (PV)</b>					
15	128	15	29	20	KM25
20	152	18.5	36	25	KM26
25	166	22	43	32	KM27
32	192	27	52.5	40	KM28
40	222	33	65.5	50	KM29
50	266	40	79	63	KM30
<b>PVDF (PD)</b>					
15	129	15	29	20	SM25
20	150	18.5	36	25	SM26
25	162	22	43	32	SM27
32	184	27	52.5	40	SM28
40	210	33	65.5	50	SM29
50	248	40	79	63	SM30
<b>PP (PP)</b>					
15	125	15	29	20	SM25
20	146	18.5	36	25	SM26
25	158	22	43	32	SM27
32	181	27	52.5	40	SM28
40	207	33	65.5	50	SM29
50	245	40	79	63	SM30

1.) This information is part of the product key (see product enquiry form at the end of this data sheet)

4.12. Plastic body (PV, PD, PP) with flange connection

Note:

Dimensions in mm, unless otherwise stated



Diaphragm size	L	ØD2	ØD3	K	H	h	ØD	W	N (only for DN65)	Product key <sup>1.)</sup>
<b>PVC-U (PV), PVDF (PD) and PP (PP)</b>										
15	130	65.5	96	12	–	–	14	4x90°	5.9	FL24
20	150	75	105	14	–	–	14	4x90°	6.9	FL25
25	160	85	115	15	–	–	14	4x90°	6.9	FL26
32	180	100	140	17	–	–	18	4x90°	7.9	FL27
40	200	110	150	17	–	–	18	4x90°	8	FL28
50	230	125	165	18	–	–	18	4x90°	9	FL29
65	290	145	185	19	92	47	18	4x90°	10	FL30
80	310	160	200	36	107	50	18	8x45°	–	FF31
100	350	180	225	35	134.5	65.5	18	8x45°	–	FF31

1.) This information is part of the product key (see product enquiry form at the end of this data sheet)

## 5. Performance specifications

### 5.1. Flow characteristics

**Note:**

- The  $K_v$  values may vary slightly with different actuator sizes and diaphragm materials.
- Further  $K_v$  values on request
- Flow rate:  $K_v$  value water (m<sup>3</sup>/h) for elastomer diaphragm
- Measurement at +20 °C, 4 bar at valve inlet and 3 bar at valve outlet

#### Forged body (VS)

Diaphragm size	Port connection		$K_v$ value [m <sup>3</sup> /h]					
			DIN EN ISO 1127 ISO 4200 DIN 11866 series B	DIN 11850 series 2 DIN 11866 series A DIN EN 10357 series A	ASME BPE DIN 11866 series C	DIN 11850 series 0	BS4825	SMS3008
DN	[mm]	[inch]	[m <sup>3</sup> /h]	[m <sup>3</sup> /h]	[m <sup>3</sup> /h]	[m <sup>3</sup> /h]	[m <sup>3</sup> /h]	[m <sup>3</sup> /h]
8	6	¼"	–	–	–	1.1	–	–
8	8	¼"	1.5	–	0.7	1.7	0.5	–
8	10	⅜"	1.5	1.5	1.6	–	1.4	–
8	15	½"	–	–	1.5	–	–	–
15	10	⅜"	5.5	3.5	–	–	–	–
15	15	½"	6.5	6.5	3.1	–	3.7	–
15	20	¾"	–	–	6.5	–	–	–
20	20	¾"	12.5	12.4	8.4	–	8.9	–
25	25	1"	18	20	15.5	–	15.5	16
40	32	1¼"	–	34	–	–	–	–
40	40	1½"	41	40	37	–	37	38
50	50	2"	66	66	66	–	66	66
50	65	2½"	–	–	66	–	66	66

#### Tube valve body (VP)

Diaphragm size	Port connection		$K_v$ value [m <sup>3</sup> /h]		
			DIN EN ISO 1127 ISO 4200 DIN 11866 series B	DIN 11850 series 2 DIN 11866 series A DIN EN 10357 series A	ASME BPE DIN 11866 series C
DN	[mm]	[inch]	[m <sup>3</sup> /h]	[m <sup>3</sup> /h]	[m <sup>3</sup> /h]
8	8	¼"	1.9	–	–
8	10	⅜"	–	1.9	–
8	15	½"	–	–	1.8
15	10	⅜"	–	–	7.1
15	15	½"	7.2	7.4	–
15	20	¾"	–	7.4	–
20	20	¾"	13.5	–	–
20	25	1"	–	14.9	12.8
25	32	1¼"	–	22.3	–
25	25	1"	20.8	–	–
32	40	1½"	–	34.8	31
40	40	1½"	47.9	–	–
40	50	2"	–	46.2	43
50	50	2"	69.7	–	–
65	80	3"	–	–	75
80	100	4"	–	–	145

Cast body (VG)

Diaphragm size DN	Port connection		K <sub>v</sub> value [m <sup>3</sup> /h]
	[mm]	[inch]	
8	8	¼"	1
15	15	½"	5.6
20	20	¾"	10.7
25	25	1"	14.6
40	40	1½"	35
50	50	2"	47

Plastic body (PV; PD; PP)

Diaphragm size DN	Port connection		K <sub>v</sub> value [m <sup>3</sup> /h]
	[mm]	[inch]	
15	15	½"	3
20	20	¾"	7
25	25	1"	11.4
32	32	1¼"	17
40	40	1½"	24.5
50	50	2"	41.5

5.2. Medium pressure

Diaphragm size DN	Actuator material	Max. operating pressure for seal material EPDM; PTFE/EPDM, advanced PTFE/EPDM, GYLON®/EPDM laminated
		Max. [bar]
8...80	Stainless steel/Stainless steel	10
100	Stainless steel/Stainless steel	6
8...50	Stainless steel/PPS	10
8...40	PPS/PPS	10
50	PPS/PPS	7

## 6. Ordering information

### 6.1. Bürkert eShop – Easy ordering and quick delivery



#### Bürkert eShop – Easy ordering and fast delivery

You want to find your desired Bürkert product or spare part quickly and order directly? Our online shop is available for you 24/7. Sign up and enjoy all the benefits.

[Order online now](#)

### 6.2. Bürkert product filter



#### Bürkert product filter – Get quickly to the right product

You want to select products comfortably based on your technical requirements? Use the Bürkert product filter and find suitable articles for your application quickly and easily.

[Try out our product filter](#)

### 6.3. Bürkert product enquiry form

**Bürkert product enquiry form:** Would you like to make a specific product enquiry based on your technical requirements? Please use our product enquiry form **at the end of this data sheet**. There you will find all the information relevant to your Bürkert contact person that will help us to process your enquiry in the best possible way.

**Bürkert specification key:** In our product enquiry form you will find a complete explanation of the composition of our specification key. You will find our product enquiry form **at the end of this data sheet**.

# Bürkert – Close to You

For up-to-date addresses  
please visit us at  
[www.burkert.com](http://www.burkert.com)

DTS 1000450617 EN Version: E Status: RL (released | freigegeben | validé) printed: 04.11.2021

Austria  
Belgium  
Czech Republic  
Denmark  
Finland  
France  
Germany  
Italy  
Netherlands

Norway  
Poland  
Spain  
Sweden  
Switzerland  
Turkey  
United Kingdom

Russia

Canada  
USA

Brazil  
Uruguay

South Africa

United  
Arab  
Emirates

Australia  
New Zealand

China  
Hong Kong  
India  
Japan  
Korea  
Malaysia  
Philippines  
Singapore  
Taiwan

**Product Enquiry Form**  
**Diaphragm valve with straight**  
**way valve, T-valve or tank bottom**  
**valve**



**Product Enquiry Form - Diaphragm valve with globe valve, T-valve or**  
**tank bottom valve**

Thank you for your interest in our products! In order to provide you with optimum advice, please fill out the following form and send it to your **Bürkert representative** or e-mail address: [info@burkert.com](mailto:info@burkert.com). All information submitted will of course be kept strictly confidential.

Please fill in the **required fields!**  \*

\***Note:** The interactive functions of this PDF may be restricted depending on the PDF reader used.

Personal Information			
<b>Company</b>		<b>Contact person</b>	
<b>Customer no.</b>		<b>Department</b>	
<b>Street</b>		<b>Postcode / Town</b>	
<b>Telephone no.</b>		<b>Email</b>	

Delivery
Required delivery date

Operating data					
<b>Process medium</b>					
<b>Medium</b>	Liquid	Steam	Gas	CIP	SIP
<b>Medium temperature</b>	T <sub>med</sub>				
<b>Medium pressure</b>	P <sub>med</sub>				

Valve data				
<b>Surface quality (valid for stainless steel)</b>	Standard:	Ra 0.5 internal	Ra 0.38 e-pol internal	Plastic
	Non standard:	internal	external	
<b>Body material</b>				
<b>Body design</b>	2 way valve	T-valve	Tank bottom valve	
<b>Seal material</b>	EPDM	PTFE	GYLON®	others
<b>Nominal diameter</b>	DN			
<b>Pilot pressure</b>	min.		max.	
<b>Connection</b>	<b>Weld end</b>	EN ISO 1127 / ISO 4200 DIN 11866 R. B	DIN 11850 DIN 11866 R. A	ASME BPE DIN 11866 R. C
	<b>Clamp connection</b>	DIN 32676 R. B (ISO tube (ISO4200))	DIN 32676 R. A (DIN tube (DIN11850))	ASME BPE
	<b>Plastic</b>	Flange	Threated	Spigot
	<b>Others</b>			

Article no. (if known)
Are you interested in ordering a complete Valve System Open/Close or Continuous? For more information on Valve Systems Open/Close or Continuous, please visit our <a href="#">Website</a> ►.

Additional Requirements / Comment

DTS 1000450617 EN Version: E Status: RL (released | freigegeben | validé) printed: 04.11.2021



## Specification key

**Note:**





- Please fill out this Product Inquiry Form as completely as possible!
- For more information on Valve Systems Open/Close or Continuous, please visit our **Website** ►.
- See **Specification key - Examples** how to fill in the specification key.





Key Feature	Quantity	Type	Control function	Nominal diameter diaphragm	Diaphragm material	Body material	Port connection	Port connection	Actuator version	Actuator size	Pilot air port	Actuator	Variable	Variable	Variable	
		TYP	SF	DN	DWST	WKST	LTA1	LTA2	ANTA	ANTG	STLA	ANTR	VAR1	VAR2	VAR3	
Key No. →		1	2	3	4	5	6	6	7	8	9	10	V1	V2	V3	
1 Selection →													*			
	Comments															
2 Selection →													*			
	Comments															
3 Selection →													*			
	Comments															
4 Selection →													*			
	Comments															
5 Selection →													*			
	Comments															
6 Selection →													*			
	Comments															

DTS 1000450617 EN Version: E Status: RL (released | freigegeben | valide) printed: 04.11.2021

## Specification key - Examples

2 way diaphragm valve					
<b>Type 2030 ▶</b> CLASSIC with plastic body 	<b>Type 2031 ▶</b> CLASSIC with stainless steel body 	<b>Type 2063 ▶</b> INOX with stainless steel body 	<b>Type 2103 ▶</b> ELEMENT with stainless steel or plastic body 	<b>Type 3232 ▶</b> Manually operated with plastic body 	<b>Type 3233 ▶</b> Manually operated with stainless steel body 

T-diaphragm valve			
<b>Type 2032 ▶</b> CLASSIC T-valve 	<b>Type 2064 ▶</b> INOX T-valve 	<b>Type 2104 ▶</b> ELEMENT T-valve 	<b>Type 3234 ▶</b> Manually operated T-valve 

Tank bottom diaphragm valve			
<b>Type 2033 ▶</b> CLASSIC Tank bottom valve 	<b>Type 2065 ▶</b> INOX Tank bottom valve 	<b>Type 2105 ▶</b> ELEMENT Tank bottom valve 	<b>Type 3235 ▶</b> Manually operated tank bottom valve 

	Type	Control function	Nominal diameter diaphragm	Diaphragm material	Body material	Port connection	Port connection	Actuator version	Actuator size	Pilot air port	Actuator	Variable	Variable	Variable
Key Feature	TYP	SF	DN	DWST	WKST	LTA1	LTA2	ANTA	ANTG	STLA	ANTR	VAR1	VAR2	VAR3
Key No. →	1	2	3	4	5	6	6	7	8	9	10	V1	V2	V3
												*		

2 way diaphragm valve														
<b>Type 2030 CLASSIC</b>	2030	A	20.0	AD	PV	KM26	-	C	E	-	-			
<b>Type 2031 CLASSIC</b>	2031	A	20.0	AD	VS	SA93	-	C	E	-	-	NK52	NO14	
<b>Type 2063 INOX</b>	2063	A	20.0	AD	VS	SA93	-	H	M	-	-	NK52	NO14	
<b>Type 2103 ELEMENT</b>	2103	A	20.0	AD	PV	KM26	-	G	M	FA01	-			
<b>Type 2103 ELEMENT</b>	2103	A	20.0	AD	VS	SA93	-	G	M	FA01	-	NK52	NO14	
<b>Type 3232</b>	3232	-	20.0	AD	PV	KM26	-	-	-	-	D050			
<b>Type 3233</b>	3233	-	20.0	AD	VS	SA93	-	-	-	-	D051	NK52	NO14	
T-diaphragm valve														
<b>Type 2032 CLASSIC</b>	2032	A	20.0	AD	VH	SODH	SA93	D	E	-	-	NK52	NO14	
<b>Type 2064 INOX</b>	2064	A	20.0	AD	VH	SODH	SA93	-	M	-	-	NK52	NO14	
<b>Type 2104 ELEMENT</b>	2104	A	20.0	AD	VH	SODH	SA93	-	M	FA01	-	NK52	NO14	
<b>Type 3234</b>	3234	-	20.0	AD	VH	SODH	SA93	-	-	-	D050	NK52	NO14	
Tank bottom diaphragm valve														
<b>Type 2033 CLASSIC</b>	2033	A	20.0	AD	VH	SA93	-	D	F	-	-	NK52	NO14	
<b>Type 2065 INOX</b>	2065	A	20.0	AD	VH	SA93	-	-	M	-	-	NK52	NO14	
<b>Type 2105 ELEMENT</b>	2105	A	20.0	AD	VH	SA93	-	-	M	FA01	-	NK52	NO14	
<b>Type 3235</b>	3235	-	20.0	AD	VH	SA93	-	-	-	-	D050	NK52	NO14	

1.) NK52, NOxx only for stainless steel bodies

## Key Legend

**Note:**

- Other versions on request
- Available Type sizes see corresponding data sheet

Key no. 2: Control function (SF)	
A	Closed with spring force
B	Open with spring force
I	Without pressure spring

Key no. 3: Nominal diameter diaphragm (DN)			
8	25	50	100
15	32	65	
20	40	80	

Key no. 4: Diaphragm material (DWST)	
AD	EPDM
EA	PTFE/EPDM
EU	Advanced PTFE/EPDM laminated
ER	Gylon®/EPDM laminated

Key no. 5: Body material (WKST)	
PD	PVDF (Polyvinylidene fluoride)
PP	PP (Polypropylene)
PV	PVC-U (Polyvinyl chloride)
VG	Stainless steel precision casting 1.4435/316L
VH	Stainless steel block material 1.4435/316L
VI	Stainless steel block material 1.4435 BN2/316L ASME BPE
VP	Stainless steel tube 1.4435 BN2/316L
VS	Stainless steel-forged 1.4435 BN2/316L ASME BPE

Key no. 6: Port connection (LTA1, LTA2)	
Listed in detail below	

Key no. 7: Actuator version (ANTA)	
C	PA actuator (only CLASSIC)
D	PPS actuator (only CLASSIC)
G	ELEMENT design actuator (only ELEMENT)
H	St. St. actuator (only INOX)

Key no. 8: Actuator size (ANTG)	
B	ø 32
C	ø 40
D	ø 50
E	ø 63
F	ø 80
G	ø 100
H	ø 125
K	ø 175
L	ø 225
M	ø 70
N	ø 90
P	ø 130

Key no. 9: Pilot air port (ELEMENT) (STLA)	
FA01	Pilot air port Push-In 6/4, 1/4"
FA02	Pilot air port G1/8
FA03	Interface ELEMENT control

Key no. 10: Actuator (ANTR)	
D050	Handwheel and attachment PPS
D051 <sup>1.)</sup>	Handwheel PPS and attachment St. St.
D052 <sup>2.)</sup>	Handwheel and attachment St. St.

1.) Alternatively D058

2.) Alternatively D059 or D102

Key no. V1, V2, ...: Variable code (VAR1, VAR2, VAR3)	
NK52 <sup>3.)</sup>	Acceptance test certificate 3.1 according to EN 10204
NO14 <sup>3.)</sup>	Mechanically polished Ra ≤ 0.5 µm (ASME BPE SF1)
NO17 <sup>3.)</sup>	Electropolished Ra ≤ 0.38 µm (ASME BPE SF4 / DIN HE4)
NO06 <sup>3.)</sup>	Mechanically polished Ra ≤ 0.76 µm (ASME BPE SF3 / DIN H2)
NO16 <sup>3.)</sup>	Electropolished Ra ≤ 0.6 µm (ASME BPE SF6)
EC04	Reduced spring force

3.) NK52, NOxx only for stainless steel bodies

**Key no. 6: Port connection (LTA)**

Weld connection								
DN [mm]	EN ISO 1127 / ISO 4200 DIN 11866 R. B	SMS 3008	DIN 11850 R. 0	DIN 11850 R. 1	DIN 11850 R. 2 DIN 11866 R. A	DIN 11850 R. 3	BS4825	ASME BPE DIN 11866 R. C
4	-	-	SC40-6.0x1.0	-	-	-	-	-
6	SA78-10.2x1.6	-	SC41-8.0x1.0	-	-	-	-	SA89-3.17x0.56
8	SA40-13.5x1.6	-	SC42-10.0x1.0	-	-	-	SODB-6.35x1.2	SA90-6.35x0.89
10	SA41-17.2x1.6	-	-	SF40-12.0x1.0	SD40-13.0x1.5	SE40-14.0x2.0	SODC-9.53x1.2	SA91-9.53x0.89
15	SA42-21.3x1.6	SA58-12.0x1.0	SC43-18.0x1.5	SF41-18.0x1.0	SD42-19.0x1.5	SE42-20.0x2.0	SODD-12.7x1.2	SA92-12.7x1.65
20	SA43-26.9x1.6	SA59-18.0x1.0	SC44-22.0x1.5	SF42-22.0x1.0	SD43-23.0x1.5	SE43-24.0x2.0	SODE-19.05x1.2	SA93-19.05x1.65
25	SA44-33.7x2.0	SA60-25.0x1.2	SC45-28.0x1.5	SF43-28.0x1.0	SD44-29.0x1.5	SE44-30.0x2.0	-	SODF-25.4x1.65
32	SA45-42.4x2.0	SA61-33.7x1.2	SC46-34.0x1.5	SF44-34.0x1.0	SD45-35.0x1.5	SE45-36.0x2.0	-	-
40	SA46-48.3x2.0	SA62-38.0x1.2	SC47-40.0x1.5	SF45-40.0x1.0	SD46-41.0x1.5	SE46-42.0x2.0	-	SODH-38.1x1.65
50	SA47-60.3x2.0	SA63-51.0x1.2	SC48-52.0x1.5	SF46-52.0x1.0	SD47-53.0x1.5	SE47-54.0x2.0	-	SODI-50.8x1.65
65	SA48-76.1x2.0	SA64-63.5x1.6	-	-	SD48-70.0x2.0	-	-	SODJ-63.5x1.65
80	SA49-88.9x2.3	SA65-76.1x1.6	-	-	SD49-85.0x2.0	-	-	SODK-76.2x1.65
100	SA39-114.3x2.3	SA66-101.6x2.0	-	-	SD50-104.0x2.0	-	-	SODL-101.6x2.11

**Product Enquiry Form**  
**Diaphragm valve with straight**  
**way valve, T-valve or tank bottom**  
**valve**



Clamp connection					
DN [mm]	Clamp 34,0 similar to DIN 32676 R. B (ISO tube (ISO4200))	DIN 32676 R. A (DIN tube (DIN11850))	DIN 32676 R. B (ISO tube (ISO4200))	ASME BPE	BS 4825 (Clamp BS 4825-3, tube BS 4825-1)
8	TC51-13.5×1.6 Cl: 34.0	TD40-10.0×1.0 Cl: 25.0	TC40-13.5×1.6 Cl: 25.0	TG 50-6.35×0.89 Cl: 25.0	-
10	TC41-17.2×1.6 Cl: 34.0	TD41-13.0×1.5 Cl: 34.0	TC53-17.2×1.6 Cl: 25.0	TG 01-9.53×0.89 Cl: 25.0	-
15	TC42-21.3×1.6 Cl: 34.0	TD42-19,0×1.5 Cl: 34.0	TC52-21.3×1.6 Cl: 50.5	TG 02-12.7×1.65 Cl: 25.0	TH42-12.7×1.2 Cl: 25.0
20	-	TD43-23.0×1.5 Cl: 34.0	TC43-26.9×1.6 Cl: 50.5	TG 03-19.05×1.65 Cl: 25.0	TH43-19.05×1.2 Cl: 25.0
25	-	TD44-29.0×1.5 Cl: 50.5	TC44-33.7×2.0 Cl: 50.5	TG 04-25.4×1.65 Cl: 50.5	-
32	-	-	-	-	-
40	-	TD46-41.0×1.5 Cl: 50.5	TC46-48.3×2.0 Cl: 64.0	TG 05-38.1×1.65 Cl: 50.5	-
50	-	TD47-53.0×1.5 Cl: 64.0	TC47-60.3×2.0 Cl: 77.5	TG 06-50.8×1.65 Cl: 64.0	-
65	-	-	TC48-76.1×2.0 Cl: 91.0	TG 07-63.5×1.65 Cl: 77.5	-
80	-	-	TC49-88.9×2.3 Cl: 106.0	TG 08-76.2x,65 Cl: 91.0	-
100	-	-	TC50-114.3×2.3 Cl: 130.0	TG 09-101.6×2.11 Cl: 119.0	-

Plastic connection					
DN [mm]	Welded connection socket (only WKST=PD, PP)	Welded connection threaded socket (only WKST=PD, PP)	Adhesive bond socket (only WKST=PV)	Adhesive bond threaded socket (only WKST=PV)	Loose-type flange (up to DN65) Fixed flange (from DN80)
15	SS25 - ø20	SM25 - ø20	KS25 - ø20	KM25 - ø20	FL24
20	SS26 - ø25	SM26 - ø25	KS26 - ø25	KM26 - ø25	FL25
25	SS27 - ø32	SM27 - ø32	KS27 - ø32	KM27 - ø32	FL26
32	SS28 - ø40	SM28 - ø40	KS28 - ø40	KM28 - ø40	FL27
40	SS29 - ø50	SM29 - ø50	KS29 - ø50	KM29 - ø50	FL28
50	SS30 - ø63	SM30 - ø63	KS30 - ø63	KM30 - ø63	FL29
65	-	-	-	-	FL30
80	-	-	-	-	FF31
100	-	-	-	-	FF32

DTS 1000450617 EN Version: E Status: RL (released | freigegeben | valide) printed: 04.11.2021