


Radar level measuring device for hygienic applications



- For level measurement up to 20 m
- 4... 20 mA/Hart - 2 wires
- Adjustable via Display, key operation or PC-Tool with DTM
- ATEX approvals 

Type 8138 can be combined with...



Type 8793

Process controller



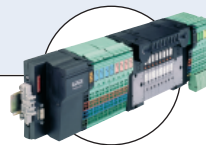
Type 2103

Diaphragm valve



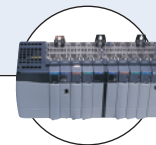
Type 8802-GD

Element control valve system



Type 8644

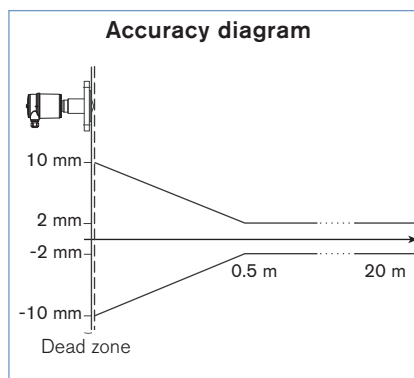
Valve islands



PLC

The Type 8138 is a non-contact radar level measuring device for continuous level measurement.

It is particularly suitable for use in small vessels that contain beverage liquids under sanitary process conditions.



General data

Materials

Housing / Cover	PBT, Stainless steel 316L (1.4404) / PC
Seal ring / Ground terminal	NBR / Stainless steel 316Ti/316L (1.4571/1.4435)
Wetted parts	
Process connection / Antenna / Seal	Stainless steel 316L / TFM-PTFE / EPDM

Display*

LCD in full dot matrix (option)

Process connection

Clamp 2", DN25 connection adapted for GEA Tuchenhausen VARIN-LINE process connections, Flange DN50, DN100 DIN2501

Torque of the flange screws

60 Nm

Electrical connection

Cable glands M20 x 1.5

Measuring value

Distance between process connection and product surface

Min. dielectric figure

$\epsilon_r > 1.6$

Dead zone

50 mm (from flange)

Measuring range

0.05 to 10 m (Clamp 2", DN25 connection or flange DN50 version)
0.05 to 20 m (flange DN100)

Process temperature

with Clamp, flange connection	-40 to +200°C (-40 to 392°F)
with DN25 connection	-40 to +130°C (-40 to 266°F)

Vessel pressure

with Clamp connection	-1 to 16 bar (-14.51 to 232.16 PSI) (-100 to 1600 kPa)
with DN25 connection	-1 to 10 bar (-14.51 to 145.1 PSI) (-100 to 1000 kPa)
with flange connection	according to flange rules

Vibration resistance

Mechanical vibrations with 4 g and 5... 100 Hz

Temperature coefficient

0.03%/10K (Average temperature coefficient of the zero signal - temperature error)

Resolution

max. 1 mm

Frequency

K-band (26 GHz technology)

Interval

approx. 1 s

Beam angle at 3 dB

18° (Measuring range 0.05 to 10 m)
10° (Measuring range 0.05 to 20 m)



Adjustment time

> 1 s (dependent on the parameter adjustment)

Accuracy

± 2 mm (see diagram)

* to be ordered separately

Electrical data	
Operating voltage	14 - 36 V DC or 14 - 30 V DC (Ex ia instrument)
Permissible residual ripple	< 100 Hz: U _{ss} < 1 V 100 Hz... 10 kHz: U _{ss} < 10 mV
Output signal	4... 20 mA/HART
Resolution	1.6 μ A
Fault signal	current output unchanged 20.5 mA, 22 mA or < 3.6 mA (selectable)
Current limitation	22 mA
Load	see load diagram
Damping (63% of the input variable)	0... 999 s, adjustable
Environment	
Ambient temperature	-40 to +80°C (-40 to 176°F) (operation and storage)
Relative humidity	80% max; without condensation
Standards and approvals	
Protection	IP66/IP67 with M20 x 1.5 gland mounted and tightened
Overvoltage category	III
Protection class	II
Standard	
EMC	EN61326
Security	EN61010-1
NAMUR	NE 21; NE 43
Approvals	ATEX ¹⁾ : EN60079-0; EN60079-11; EN60079-26 FDA
Specifications Ex	
 - Protection	Categories 1/2G or 2G
 - Certification	Ex ia IIC T6
Conformity specifications ¹⁾	
Operating voltage U _i	30 V
Short circuit rating I _i	131 mA
Power limitation P _i	983 mW
Ambient temperature	-40 to +55°C (-40 to 131°F) (dependent on categories)
Internal capacity C _i	negligible
Internal inductivity L _i	negligible

1) homologation certificate PTB 08 ATEX 2002X

Target applications

In highly purified water

The manufacture of products, which are either injected directly into the bloodstream, or administered as nose or eye drops, requires high purity water (WFI). The measuring device 8138 is especially suitable for level measurement in the WFI storage tank. The contactless measurement is unaffected by pressure or vacuum. The front flush antenna of the Type 8138 guarantees optimum CIP and SIP cleaning results. The antenna is PTFE encapsulated to protect it against highly ionised water.

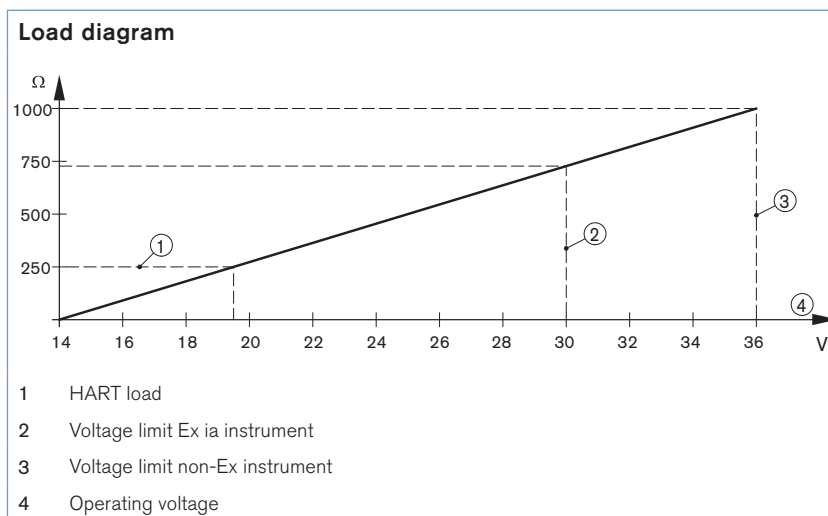
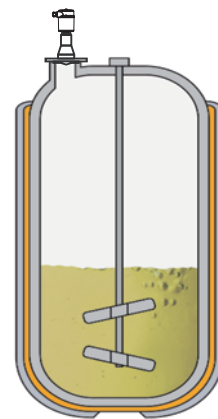


In the stirring and preparation vessel

Processes like yoghurt production take place in controlled, highly sterile surroundings. They therefore place heavy demands on the cleanliness of all parts that touch the medium.

The cleaning processes themselves are correspondingly thorough. Contamination with foreign bacteria would lead to spoilage of the entire batch.

The radar measuring device 8138 lends itself well for reliable level measurement here. The contactless measuring principle is not affected by the density changes in the yoghurt and the abrasiveness of the fruits. The front-flush antenna allows optimal CIP and SIP cleaning, is insensitive to high-pressure water jets and doesn't show thermal shock behaviour.



Principle of operation

The radar measuring device consists of an electronic housing, a process connection element the antenna and a sensor. The antenna emits short radar pulses with a duration of approximate 1 ns to the medium. These pulses are reflected by the medium surface and received by the antenna as echoes. Radar waves travel at the speed of light. The running time of the radar pulses from emission to reception is proportional to the distance and hence to the level. The determined level is converted into an output signal and transmitted as a measured value.

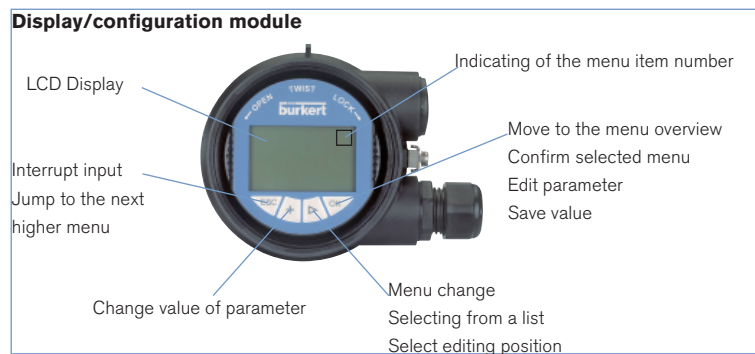
The measuring device can be adjusted with:

- the display/configuration module
- the suitable Bürkert DTM in conjunction with adjustment software according to the FDT/DTM standard, e.g. PACTware™ and PC
- a HART handheld

The entered parameters are generally saved in the measuring device Type 8138. Optionally, parameters may also be uploaded and downloaded with the display/configuration module or save in a file by using PACTware™/DTM

▶ Set up with display/configuration module

The display/configuration module can be inserted into the measuring device and removed again at any time. It is not necessary to interrupt the power supply. The measuring device is adjusted via the four keys of the display/configuration module



▶ Set up with PACTware™/DTM and HART communication

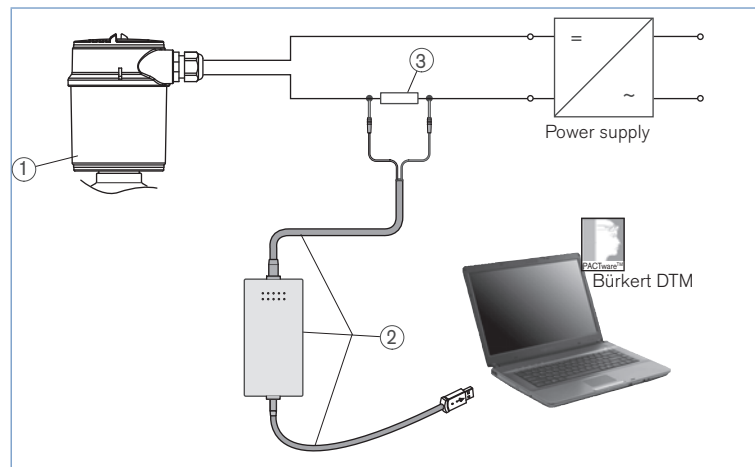
The measuring device can be operated thanks to PACTware™, via HART communication. An interface adapter is necessary for the adjustment with PACTware™. For the setup of the Type 8138, the DTM in the actual version must be used. The basic version of DTM incl. PACTware™ is available as a free-of-charge download from the Internet at www.burkert.com.

Connecting the PC via HART

1. Measuring device 8138
2. HART-USB Modem
3. Resistance 250 Ohms

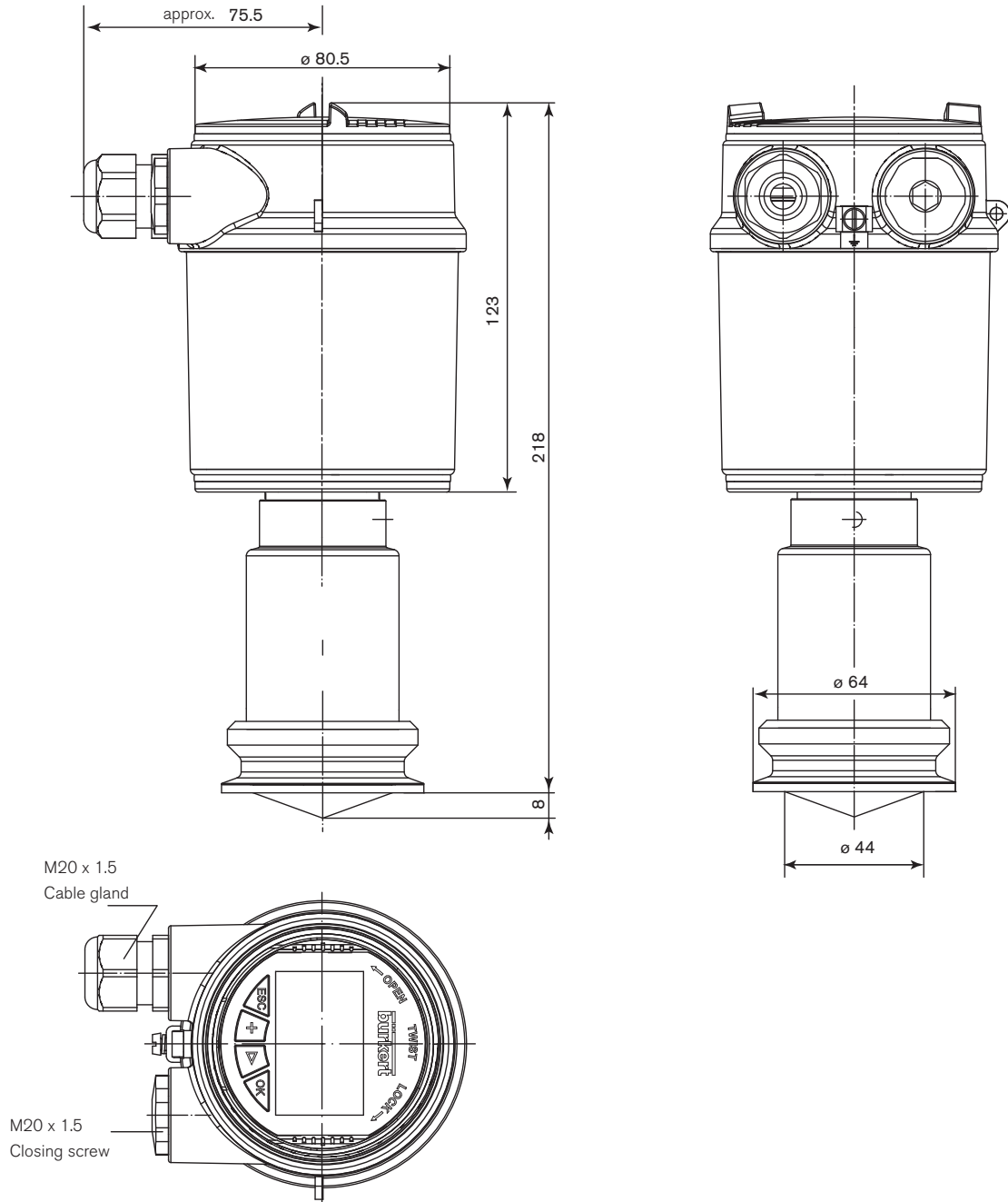
Necessary components:

- Measuring device 8138
- PC with PACTware™ and suitable Bürkert DTM
- HART-USB Modem
- Resistance approx. 250 Ohms
- Power supply unit



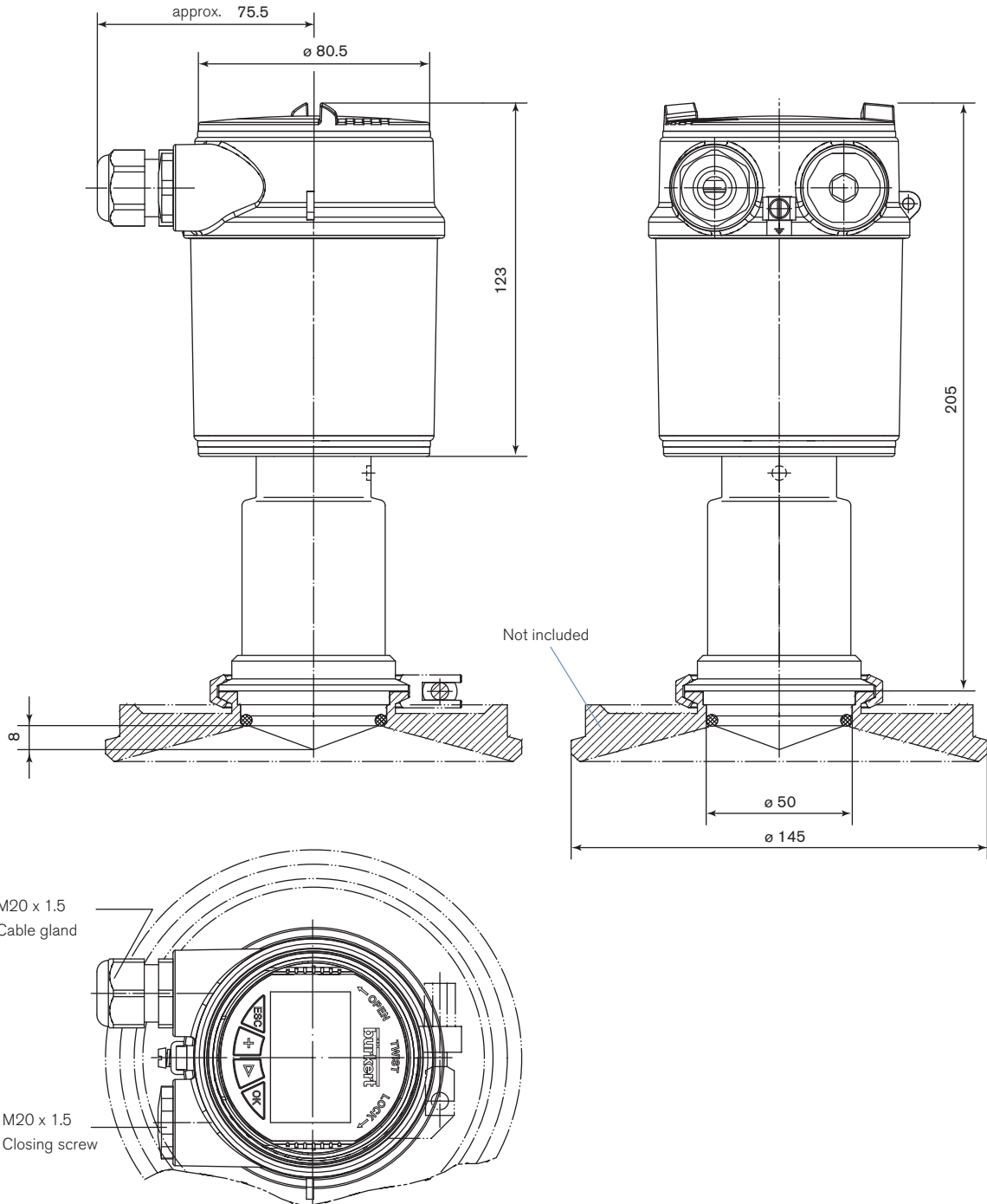
Dimensions [mm]

Clamp connection

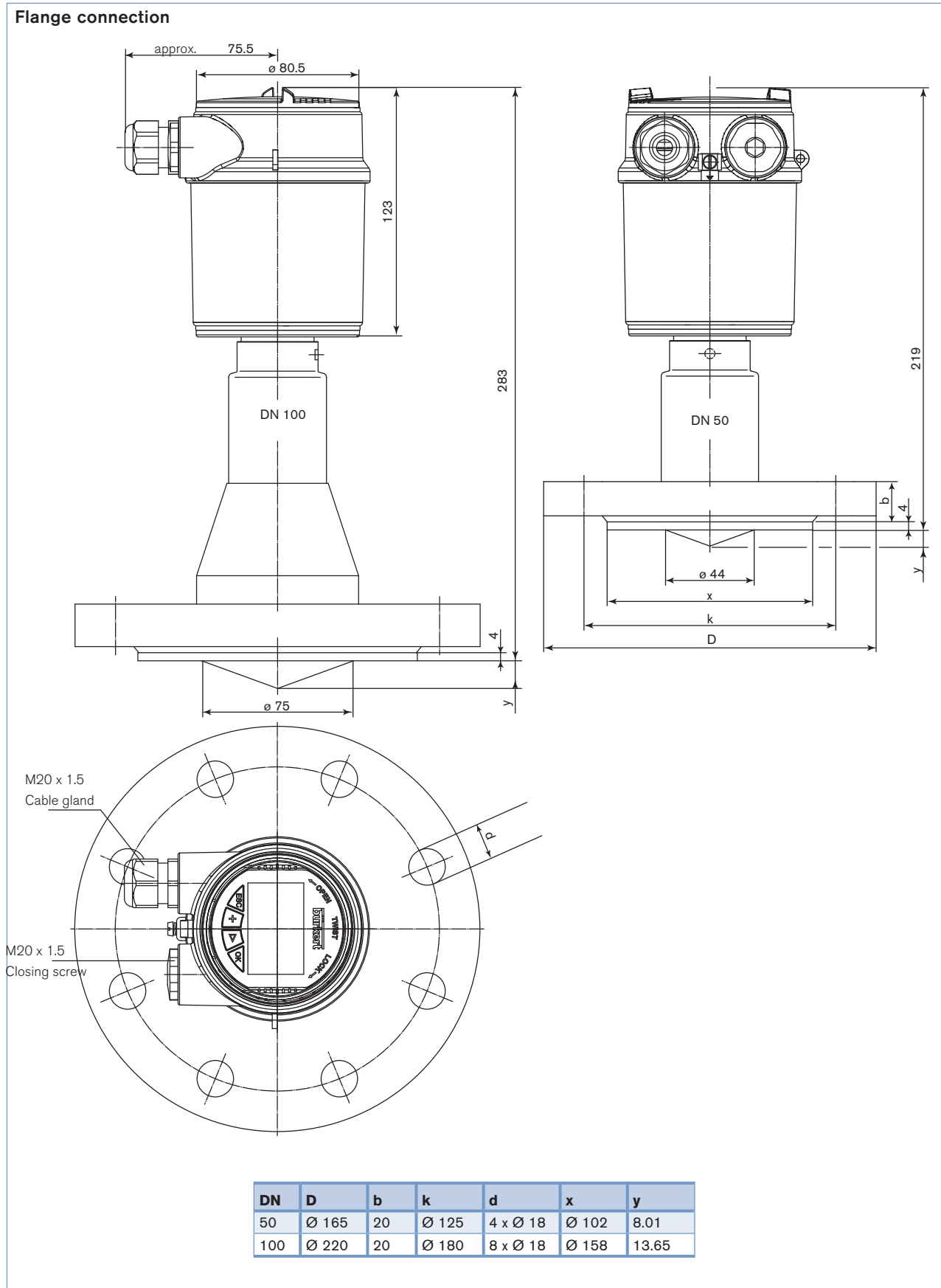


Dimensions [mm]

DN25 connection adapted for GEA Tuchenhagen VARINLINE process connections



Dimensions [mm]



Ordering chart for compact measuring device Type 8138

Specifications	Operating voltage	Output	Process connection	Electrical connection	Item no. without display/configuration module
Standard version	14 - 36 V DC	4... 20 mA/HART (2 wires)	Clamp 2"	Cable gland M20 x 1.5	560 169
			DN25 connection adapted for GEA Tuchenha- gen VARINLINE process connections	Cable gland M20 x 1.5	560 171
			Flange DN50 DIN2501 / 16 bar	Cable gland M20 x 1.5	560 173
			Flange DN100 DIN2501 / 16 bar	Cable gland M20 x 1.5	560 175
Ex version - ATEX approval	14 - 30 V DC	4... 20 mA/HART (2 wires)	Clamp 2"	Cable gland M20 x 1.5	560 170
			DN25 connection adapted for GEA Tuchenha- gen VARINLINE process connections	Cable gland M20 x 1.5	560 172
			Flange DN50 DIN2501 / 16 bar	Cable gland M20 x 1.5	560 174
			Flange DN100 DIN2501 / 16 bar	Cable gland M20 x 1.5	560 176



Further versions on request



Process connection

Flange	DN80 PN40 Form C DIN2501 DN150 PN16 Form C DIN2501 DN150 PN40 Form C DIN2501 2" 150 lb RF; ANSI B16.5 3" 150 lb RF; ANSI B16.5 4" 150 lb RF; ANSI B16.5 6" 150 lb RF; ANSI B16.5
Clamp	3" ; 4"

Please also use the "request for quotation" on page 8
for ordering a customized measuring device. [go to page](#)

Ordering chart - accessories for measuring device Type 8138 (has to be ordered separately)

Specifications	Item no.
Set with 2 reductions M20 x 1.5/NPT $\frac{1}{2}$ " + 2 neoprene flat seals for cable gland + 2 screw-plugs M20 x 1.5	551 782
Hart-USB Modem	560 177
Set with a display/configuration module, a transparent cover and a seal ring	559 279
Set with a transparent cover and a seal ring	561 006

Customized measuring device Type 8138 - request for quotation

Note
You can fill out the fields directly in the PDF file before printing out the form.

Please fill in and send to your local Bürkert Sales Centre* with your inquiry or order.

Company:	Contact person:
Customer No.:	Department:
Address:	Tel. / Fax.:
Postcode / Town:	E-mail:

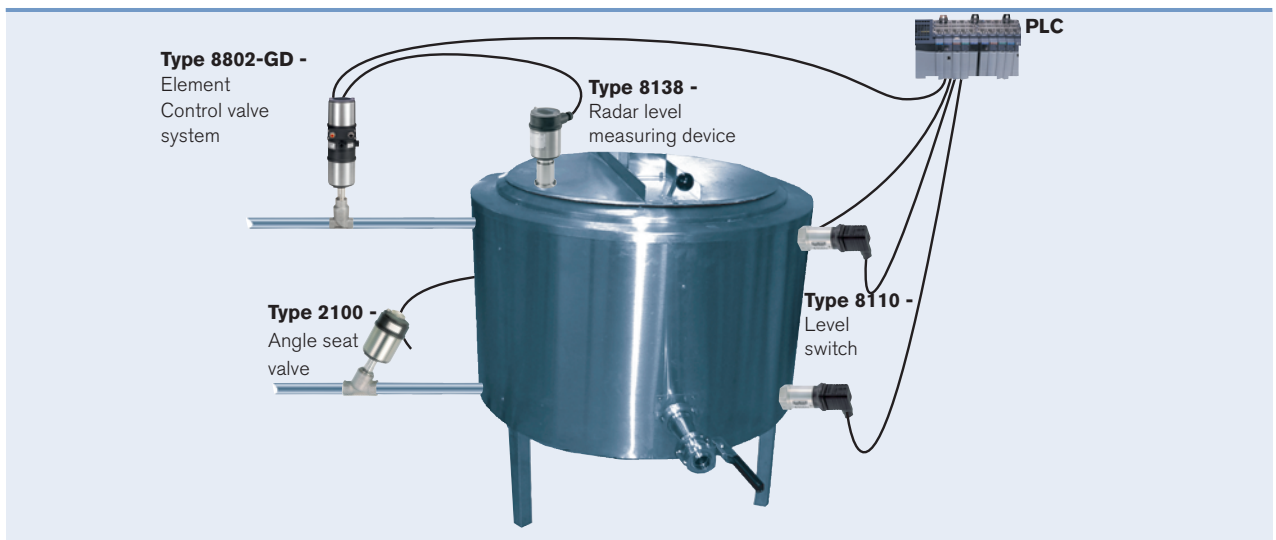
Radar level measuring device 8138

Quantity:

Desired delivery date:

<input type="checkbox"/> Antenna	<input type="checkbox"/> Encapsulated horn (-40... 200°C)	<input type="checkbox"/> Hygienic encapsulated horn (-40... 130°C)
<input type="checkbox"/> Process connection:		
Clamp	<input type="checkbox"/> 2" <input type="checkbox"/> 2½"	<input type="checkbox"/> 3" <input type="checkbox"/> 4"
Bolting DIN 11851	<input type="checkbox"/> DN50 PN16, <input type="checkbox"/> DN65 PN16	<input type="checkbox"/> DN80 PN16 <input type="checkbox"/> DN100 PN16
Hygienic fitting	<input type="checkbox"/> with tension flange DN32 PN16	<input type="checkbox"/> with compression nut F40 PN16
Aseptic Bolting DIN 11864-2-A	<input type="checkbox"/> DN50 (O-ring at vessel) <input type="checkbox"/> DN60 (O-ring at vessel)	<input type="checkbox"/> DN80 (O-ring at vessel)
SMS 1145	<input type="checkbox"/> DN51	<input type="checkbox"/> DN76
Neuno Biocontrol	<input type="checkbox"/> Size 50 PN16	
Flange	<input type="checkbox"/> DN50 PN40, Form C, DIN2501	<input type="checkbox"/> 2" 150 lb RF, ANSI B16.5
	<input type="checkbox"/> DN80 PN40, Form C, DIN2501	<input type="checkbox"/> 3" 150 lb RF, ANSI B16.5
	<input type="checkbox"/> DN100 PN40, Form C, DIN2501	<input type="checkbox"/> 4" 150 lb RF, ANSI B16.5
	<input type="checkbox"/> DN150 PN40, Form C, DIN2501	<input type="checkbox"/> 6" 150 lb RF, ANSI B16.5
	<input type="checkbox"/> DN200 PN40, Form C, DIN2501	<input type="checkbox"/> 8" 150 lb RF, ANSI B16.5
DN25 connection <small>adapted for GEA Tuchenhagen VARINLINE process connections</small>	<input type="checkbox"/> DN25... PN10	
<input type="checkbox"/> Display/configuration module	<input type="checkbox"/> Yes <input type="checkbox"/> No	
<input type="checkbox"/> ATEX approval	<input type="checkbox"/> Yes <input type="checkbox"/> No	<input type="checkbox"/> FDA approval <input type="checkbox"/> Yes <input type="checkbox"/> No

Interconnection possibilities with other Bürkert devices



*To find your nearest Bürkert office, click on the orange box →

www.burkert.com

In case of special application conditions, please consult for advice.

Subject to alteration.
© Christian Bürkert GmbH & Co. KG

1412/10_EU-en_00895043

DTS 1000105442 EN Version: J Status: RL (released | freigegeben | valide) printed: 24.10.2016