



## Digital electropneumatic positioner SideControl

- Compact and robust design
- Easy to start using tune function
- Dynamic positioning system with no air consumption in controlled state
- AS-Interface, IO-Link or Bürkert system bus (büS)
- Mounting acc. to IEC 60534-6-1 / VDI VDE 3845 or Remote

Type 8791 BASIC can be combined with...



Yoke type actuators



Rotary actuators



Rotary actuators with remote positioner



Process control valve with remote positioner



Hygienic process control valve with remote positioner

The robust and compact positioner is designed to a standardisation acc. to IEC 534-6 or VDI/ VDE 3845 for assembly with linear and rotary actuators. In addition, the remote version with the displacement position sensor can be combined with Bürkert process control valves. The setpoint setting for the electropneumatic digital positioner SideControl BASIC occurs using a standard signal 4...20 mA or by büS as an option. In addition there is a binary input and an optional analogue feedback available. The valve opening is signalled by a mechanical indicator element and the device status is shown on three coloured LEDs. All the operational elements are found in the housing. The start-up happens automatically, and directly at the device the following functions can be activated through DIP switches:

- Close tight function
- Inversion of the operating direction of the setpoint signal
- Characteristic curves selection
- Switching - manual and automatic operation

Additional possibilities on configuration and parameter setting, for example, linearisation of the operation characteristics by using communications software which allows customised programming. The pilot valve system can be used equally for single and double-acting drives. It is characterised by a defined safety feature in case of failure of the electrical or pneumatic power supply and possesses an enormous air capacity range with pressure supply up to 7 bar.


| Technical data   |  |
|--|--|
| <b>Material</b>  |  |
| Body   | Aluminium plastic-coated   |
| Seal   | EPDM, NBR, FKM   |
| <b>Operating voltages</b>                              | 24 V DC +/- 10%  |
| <b>Residual ripple</b>                                 | max. 10%   |
| <b>Setpoint setting</b>                                | 4-20 mA (0-20 mA adjustable using configurations software)   |
| <b>Input resistance</b>                                | 0/4 to 20 mA: 180 Ω  |
| <b>Analogue feedback</b>                               | (0-20 mA adjustable using configurations software) (max. Burden 560 Ω)   |
| <b>Binary input</b>                                    | 0-5 V = log "0", 10-30 V = log "1"   |
| <b>Control medium</b>                                  | neutral gases, air, quality classes acc. to ISO 8573-1   |
| Dust concentration                                     | Class 7 (<40 µm particle size)   |
| Particle density                                       | Class 5 (<10 mg/m <sup>3</sup> )   |
| Pressure condensation point                            | Class 3 (<-20 °C)  |
| Oil concentration                                      | Class X (<25 mg/m <sup>3</sup> )   |
| <b>Ambient temperature</b>                             | -10 to +60 °C (without Ex-Approval)<br>0 to +60 °C (with ATEX / IECEx-Approval)  |
| <b>Pilot air ports</b>                                 | Threaded ports G 1/4   |
| <b>Supply pressure</b>                                 | 1.4 to 7 bar <sup>1)2)</sup>   |
| <b>Air supply filter</b>                               | Exchangeable (mesh aperture-0.1 mm)  |
| <b>Actuator system</b>                                 | Single and double-acting up to 150 l <sub>N</sub> /min.<br>50 l <sub>N</sub> /min (with 1.4 bar <sup>2)</sup> ) for aeration and ventilation<br>150 l <sub>N</sub> /min (with 6 bar <sup>2)</sup> ) for aeration and ventilation<br>(Q <sub>NH</sub> = 100 l <sub>N</sub> /min (acc. to the definition with decrease in pressure from 7 to bar absolute) |
| <b>Integrated transducer (NAMUR)</b>                   | Conductive plastic rotary potentiometer  |
| <b>Measuring range</b>                                 | Angle of rotation 30° to 150°  |
| <b>Stroke range for attachment to linear actuators</b> | 3 to 130mm, depending on the lever of the mounting kit   |
| <b>Installation</b>                                    | As required, LEDs above or sideways  |
| <b>Type of protection</b>                              | IP65/IP67 acc. to EN 60529, Type 4X acc. to NEMA 250 standard  |
| <b>Power consumption</b>                               | < 3.5 W  |

<sup>1)</sup> The supply pressure has to be 0.5-1 bar above the minimum required pilot pressure for the valve actuator

<sup>2)</sup> Pressure values [bar]: Overpressure with respect to atmospheric pressure

continued on next page

Technical data, continued

| Technical data                  |  |
|---------------------------------|--|
| <b>Electrical connection</b>    | M12, 8-pin   |
| Multipole connection            | 2x M20x1.5 (cable Ø 6-12 mm) on screw terminals (0.14-1.5 mm <sup>2</sup> )                                  |
| Cable gland                     | 1x M12x1.5 (cable Ø 3-6.5 mm)  |
| Remote Version                  |  |
| <b>Protection class</b>         | III acc. to DIN EN 61140   |
| <b>Conformity</b>               | EMC directive 2014/30/EU   |
| <b>CSA approval information</b> |  |
| Product category code           | Class 3221 82-VALVES - Actuators - Certified to US standards<br>Class 3221 02-VALVES - Actuators             |
| <b>Ex approvals</b>             | <b>ATEX</b><br>⊗ II 3G Ex ec ic IIC T4 Gc / ⊗ II 3D Ex tc IIIC T135°C Dc<br>Certificate; BVS 16 ATEX E 118 X |
|                                 | <b>IECEX</b><br>Ex ec ic IIC T4 Gc / Ex tc IIIC T135°C Dc<br>Certificate; IECEX BVS 16.0091 X                |
| <b>Considered standards</b>     | CAN/CSA-C22 2 No. 139<br>UL 429  |
| <b>CSA trademark</b>            |                             |

| Technical data - AS-Interface                   |  |
|---|--|
| <b>Profile</b>                                  | S-7.3.4 Output: 16 Bit Set point/Certificate No. 87301 acc. to Version 3.0<br>S-7.A.5 Output: 16 Bit set point; Input: 16 Bit feedback/certificate No. 95401 acc. to Version 3.0 |
| <b>Programmed data</b>                          | see instruction manual   |
| <b>Operating voltage</b><br>over Bus connection | 29,5 to 31,6 V DC acc. to AS-Interface specification   |
| <b>Max. current consumption</b>                 | 150 mA   |
| <b>Electrical connection</b>                    | M12x1, 4-pin stainless steel connection assembled with 80 cm cable and flat cable clamp  |

| Technische Daten - IO-Link   |                                       |
|------------------------------|---------------------------------------|
| <b>IO-Link Specification</b> | V1.1.2                                |
| <b>SIO-Mode</b>              | no                                    |
| <b>VendorID</b>              | 120                                   |
| <b>DeviceID</b>              | 2250497                               |
| <b>Transmission rate</b>     | COM 3 (230.4 kbit/s)                  |
| <b>Data storage</b>          | yes                                   |
| <b>Max. cable length</b>     | 20 m                                  |
| <b>Port class</b>            | B                                     |
| <b>Electrical connection</b> | M12 x 1, 5 pin, A-coded               |
| <b>Operating voltage</b>     | 18 to 30 V DC (acc. to specification) |
| <b>Power supply</b>          | via IO-Link                           |
| <b>Power consumption</b>     |                                       |
| System supply (Pin 1+3)      | max. 50 mA                            |
| Actuator supply (Pin 2+5)    | max. 100 mA                           |

| Technische Daten - Bürkert system bus (bÜS) |                             |
|---|-----------------------------|
| <b>Elektrischer Anschluss</b>               | M12 x 1, 5-polig, A-codiert |
| <b>Betriebsspannung</b>                     | 18 to 30 V DC               |
| <b>Stromaufnahme</b>                        | max. 150 mA                 |

| Technical data - Linear Remote Position Sensor (ELEMENT) |   |
|--|---|
| <b>Electrical connection</b>                             | 1x M16x1.5 (cable Ø 5-10 mm) on terminal screws (0.14-1.5 mm <sup>2</sup> ) |
| Cable gland  | 10 m  |
| Connection cable length                                  |   |
| <b>Operating voltage</b>                                 | 24 V DC ± 10 %, UL: NEC Class 2   |
| <b>Power consumption</b>                                 | < 0.3 W   |
| <b>Sensor measurement range</b>                          | 3 to 45 mm (Stroke range valve spindle)                                     |
| <b>Actual position signal</b>                            | digital (RS485)   |
| <b>Ambient temperature</b>                               | -25 to +80 °C   |
| <b>Protection class</b>                                  | III acc. to DIN EN 61140  |
| <b>Type of protection</b>                                | IP65 and IP67 acc. to EN 60529, Type 4X acc. to NEMA 250 standard           |
| <b>Type of ignition protection</b>                       | II 3D Ex tc IIIC T135 °C Dc<br>II 3G Ex nA IIC T4 Gc                        |
| <b>Conformity</b>  | EMC directive 2014/30/EU  |
| <b>Approvals</b>   | cULus Certificate no. 238179  |

Technical data, continued

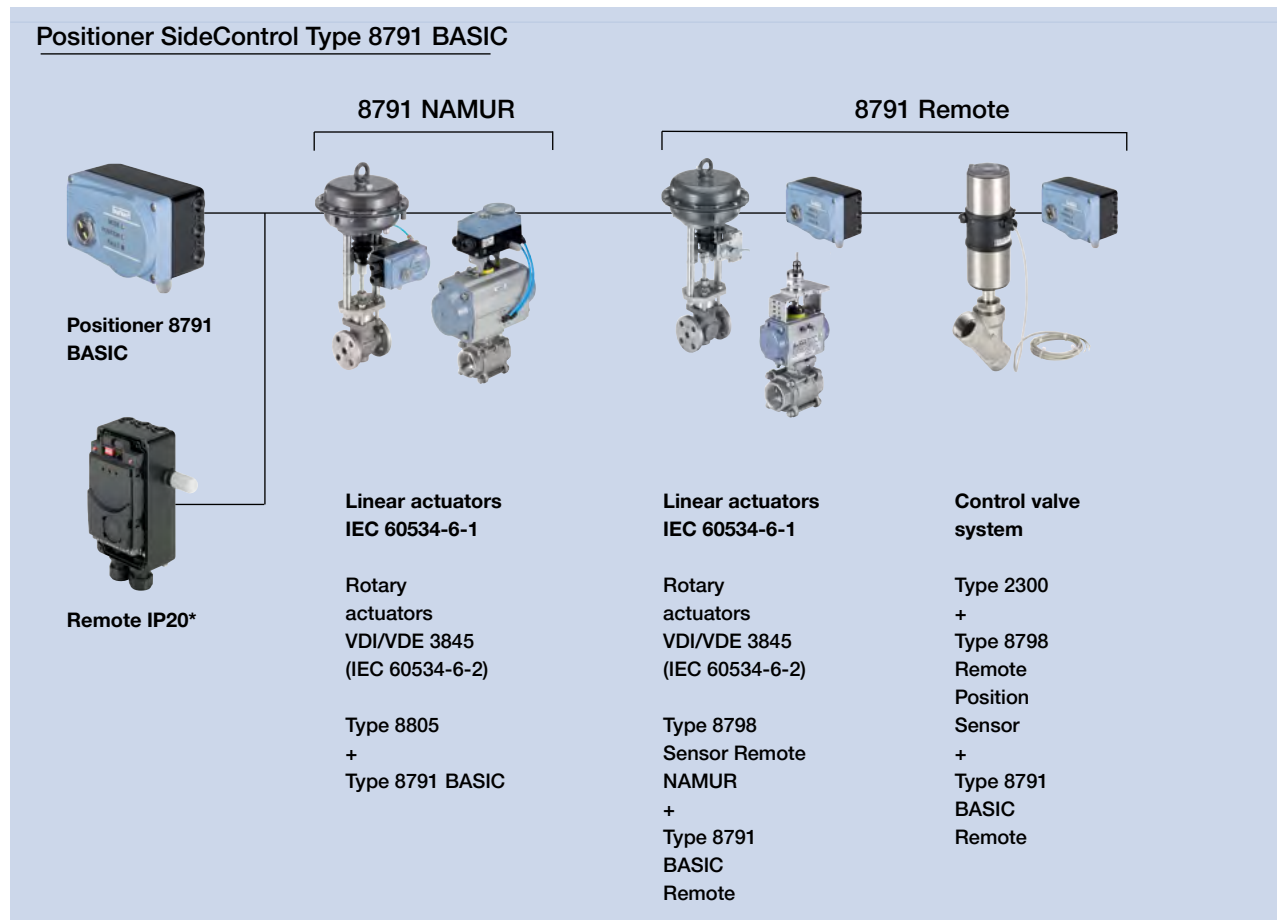
| Technical data - rotative Remote position Sensor (NAMUR) |  |
|--|--|
| Electrical connection                                    | 2 m round cable (shielded)                             |
| Operating voltage  | 10 to 30 V DC  |
| Power consumption  | < 0.8 W  |
| Measuring range  | Angle of rotation 30° to 180°                          |
| Stroke range for attachment to linear actuators          | 3 to 130mm, depending on the lever of the mounting kit |
| Actual position signal                                   | digital (RS485)  |
| Ambient temperature                                      | -25 to +80 °C  |
| Protection class   | III acc. to DIN EN 61140                               |
| Type of protection                                       | IP65 acc.to EN 60529                                   |
| Conformity   | EMC directive 2014/30/EU                               |
| Approvals  | UL (cULus) Certificate no. E226909                     |

| Technical data - Position feedback with proximity switches (Accessory) |                                    |
|--|------------------------------------|
| Electrical connection  | M12, 4-pin                         |
| Output function  | 3-wire, normally open contact, PNP |
| Operating voltage  | 10 to 30 V DC                      |
| Residual ripple  | ≤ 10% U <sub>ss</sub>              |
| DC rated current   | ≤ 100 mA                           |
| Type of protection   | IP65 and IP67                      |
| Protection class   | III acc. to DIN EN 61140           |
| Conformity   | EMC directive 2014/30/EU           |
| Approvals  | cCSAus                             |

**Note:** The position feedback has two proximity switches which are independently adjustable via switch lugs.

Using a remote positioner the length of the control air pipes influences the dynamics and attainable accuracy of the position control loop. The length of the control air pipes therefore should be as short as possible.

Example of assembly variations of positioner SideControl



\* **Note:** Remote IP20 version exclusively for cabinet mounting

Assembly options

NAMUR Version

(Positioner with integrated position sensor, assembly acc. to NAMUR/IEC 60534-6-1 and VDI/VDE 3845 (IEC 60534-6-2))

Assembly on linear actuator



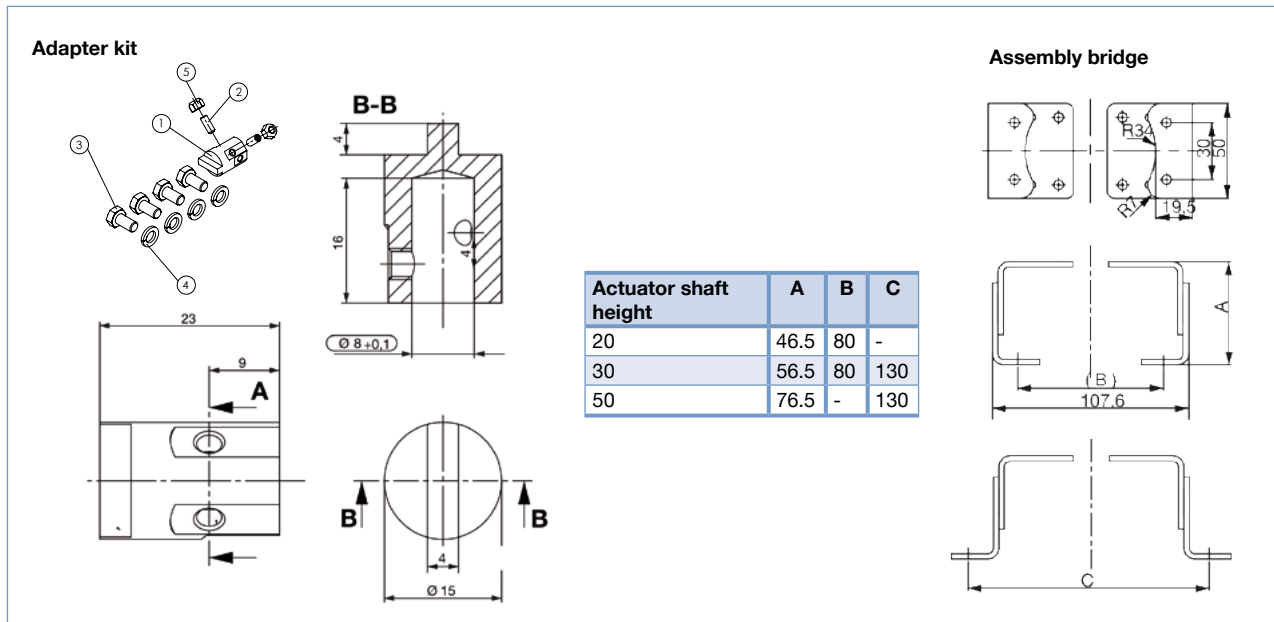
| Description | Article no. |
|-------------|-------------|
| Adapter kit | 787215      |

Assembly on rotary actuator

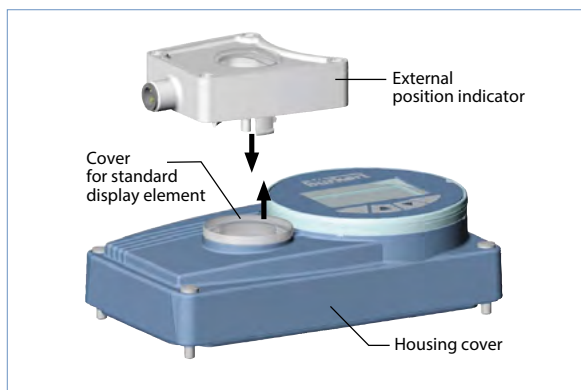


| Description     | Article no. |
|-----------------|-------------|
| Adapter kit     | 787338      |
| Assembly bridge | 770294      |

Dimensions [mm]



Position feedback with proximity switches  
(upgrade feature for SideControl BASIC)



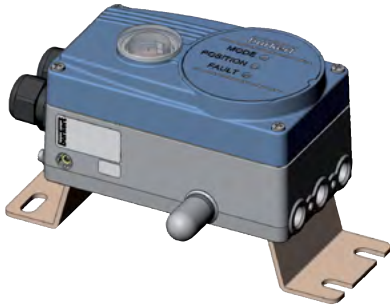
| Description       | Article no. |
|-------------------|-------------|
| Position feedback | 677218      |


Assembly options *continued*

Remote version

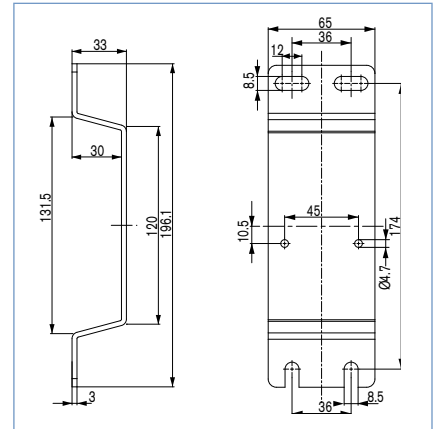
(Remote positioner from actuator with displacement position)

Assembly with accessory brackets



| Description                        | Article no.  |
|------------------------------------|--|
| Assembly bracket for wall mounting | 675715  |

Dimensions [mm]



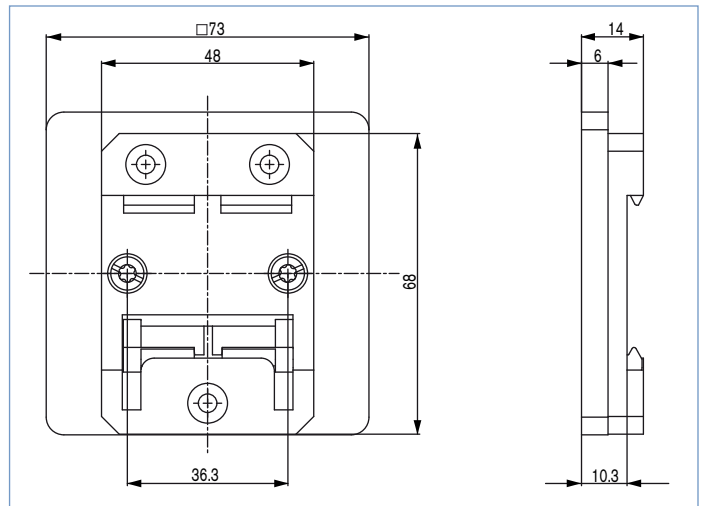
Assembly on DIN-Rail



The adapter can be turned every 90° on the DIN-Rail

| Description           | Article no.  |
|-----------------------|--|
| DIN rail assembly kit | 675702  |

Dimensions [mm]



Assembly options *continued*

Remote version

(Remote positioner from actuator with displacement position sensor)

Type 8798



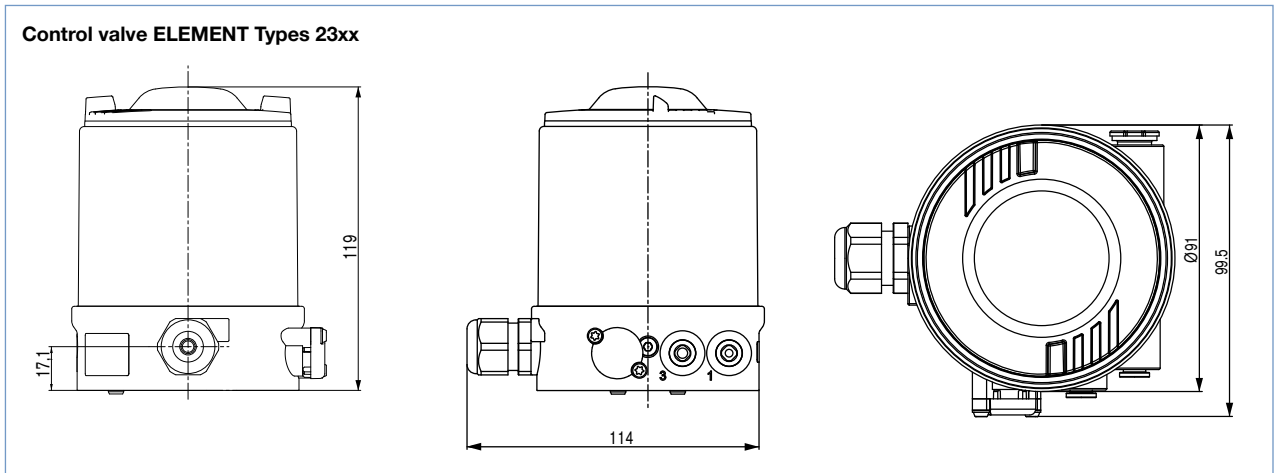
| Description  | Article no. |              |
|--|-------------|--------------|
|  | Standard    | ATEX II 3 GD |
| <b>Remote Position Sensor</b><br>Control valves ELEMENT Types 23xx | 212360 𐀀    | 226860 𐀀     |



| Description                            | Article no. |
|--|-------------|
| <b>Remote Position Sensor</b><br>NAMUR | 211536 𐀀    |

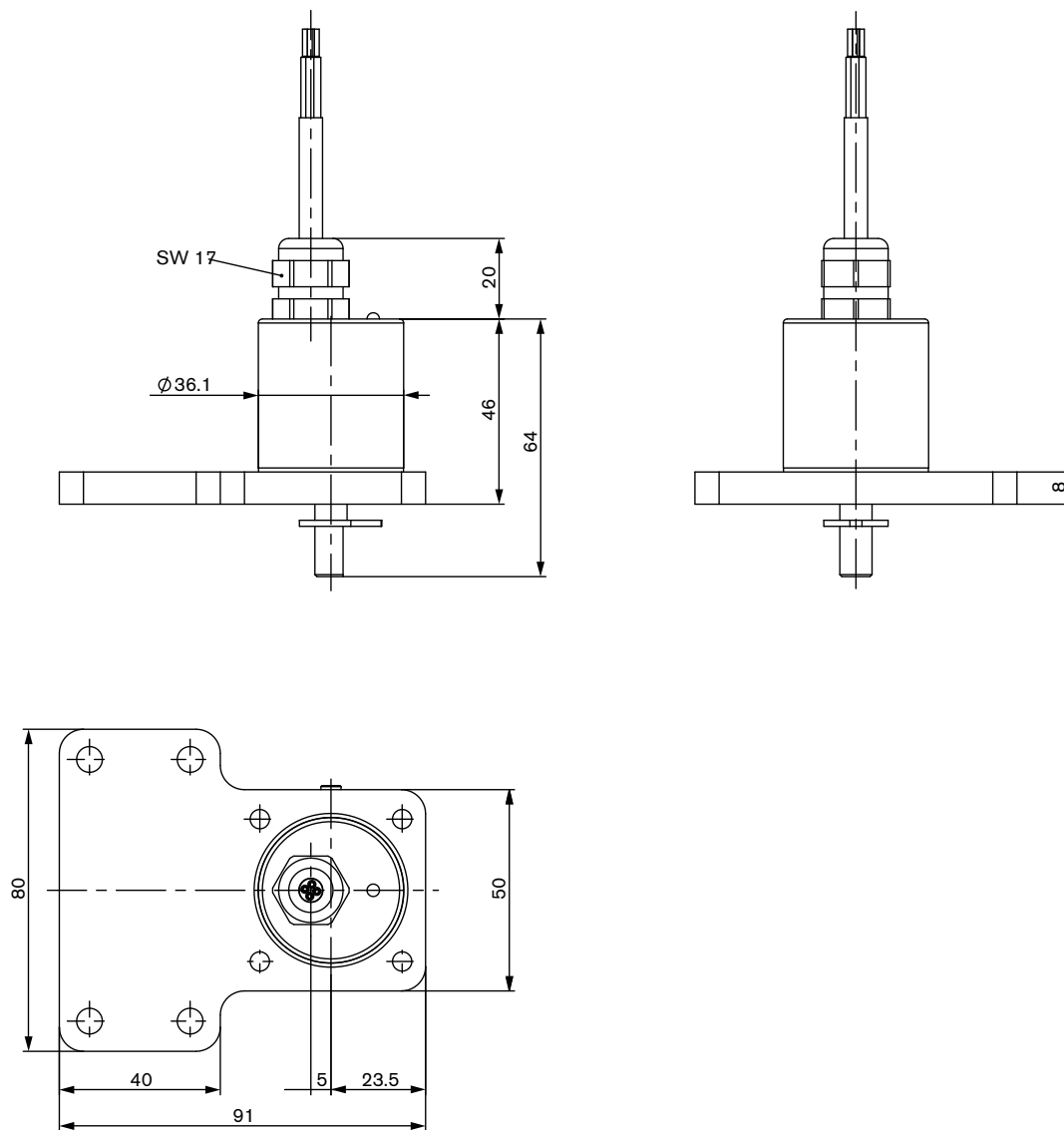
Dimensions

Control valve ELEMENT Types 23xx



Dimensions

Mounting on control valves according to NAMUR (IEC 60534-6-1 / VDI/VDE 3845 (IEC 60534-6-2))





Ordering Chart (further version on request)

Positioner SideControl BASIC Type 8791 NAMUR version

| Assembly variations                                 | Control function         | Pilot valve system / Air capacity | Communication            | Electrical connection | Feedback signal | Binary input | ATEX II 3GD / IECEx | Article no. |
|---|--------------------------|-----------------------------------|--------------------------|-----------------------|-----------------|--------------|---------------------|-------------|
| NAMUR IEC 60534-6-1<br>VDI/VDE 3845 (IEC 60534-6-2) | single and double-acting | universal                         | without                  | Cable gland           | -               | yes          | -                   | 211521      |
|   |                          |                                   |                          |                       | analogue        | yes          | -                   | 211522      |
|   |                          |                                   |                          |                       | -               | yes          | yes                 | 310303      |
|   |                          |                                   |                          | analogue              | yes             | yes          | 310304              |             |
|   |                          |                                   |                          | -                     | yes             | -            | 211523              |             |
|   |                          |                                   |                          | analogue              | yes             | -            | 211524              |             |
|   |                          |                                   | Multipole                | digital               | -               | -            | 239617              |             |
|   |                          |                                   |                          | digital               | -               | yes          | 310305              |             |
|   |                          |                                   |                          | digital               | -               | -            | 323207              |             |
|   |                          |                                   |                          | digital               | -               | -            | 323210              |             |
|   |                          |                                   | AS-Interface             |                       |                 |              |                     |             |
|   |                          |                                   | IO-Link                  |                       |                 |              |                     |             |
|   |                          |                                   | Bürkert system bus (bÜS) |                       |                 |              |                     |             |

Note: ATEX / IECEx for IO-Link and bÜS in preparation

Positioner SideControl BASIC Type 8791 Remote version

| Assembly variations | ELEMENT Actuator size | Control function         | Pilot valve system / Air capacity | Communication | Electrical connection | Feedback signal          | Binary input | ATEX II 3GD / IECEx | Article no. |
|---------------------|-----------------------|--------------------------|-----------------------------------|---------------|-----------------------|--------------------------|--------------|---------------------|-------------|
| Remote              | Ø 70/90 mm            | single-acting            | low                               | without       | Cable gland           | -                        | yes          | -                   | 224868      |
|                     | Ø 130 mm              | single and double-acting | universal                         |               |                       | analogue                 | yes          | -                   | 2 24869     |
|                     |                       |                          |                                   |               |                       | -                        | yes          | -                   | 211531      |
|                     | Ø 70/90 mm            | single-acting            | low                               | IO-Link       | Multipole             | analogue                 | yes          | -                   | 211532      |
|                     | Ø 130 mm              | double-acting            | universal                         |               |                       | digital                  | -            | -                   | on request  |
|                     | Ø 70/90 mm            | single-acting            | low                               |               |                       | Bürkert system bus (bÜS) | digital      | -                   | -           |
| Remote IP20         | Ø 70/90 mm            | single-acting            | low                               | without       | Cable gland           | digital                  | -            | -                   | 323211      |
|                     |                       |                          |                                   |               |                       | digital                  | -            | -                   | on request  |
|                     | Ø 130 mm              | single and double-acting | universal                         |               |                       | -                        | yes          | -                   | 234576      |
|                     | Ø 130 mm              | single and double-acting | universal                         |               |                       | analogue                 | yes          | -                   | 234578      |
|                     |                       |                          |                                   |               |                       | -                        | yes          | -                   | 211533      |
|                     |                       |                          |                                   |               |                       | analogue                 | yes          | -                   | 211534      |

Note: ATEX / IECEx for IO-Link and bÜS in preparation

Remote Sensor Positioner for SideControl BASIC Type 8791 Remote Version

| Assembly variations | Electrical connection                               | Article no. |                      |
|---------------------|---|-------------|----------------------|
|                     |   | Standard    | ATEX II 3 GD / IECEx |
| ELEMENT Type 23xx   | Cable gland - 10 m round cable                      | 212360      | 226860               |
| NAMUR (rotative)    | Cable gland - 2 m round cable (max. extension 10 m) | 211536      | -                    |

Further versions on request



Approvals  
Remote Sensor ATEX Cat. 3

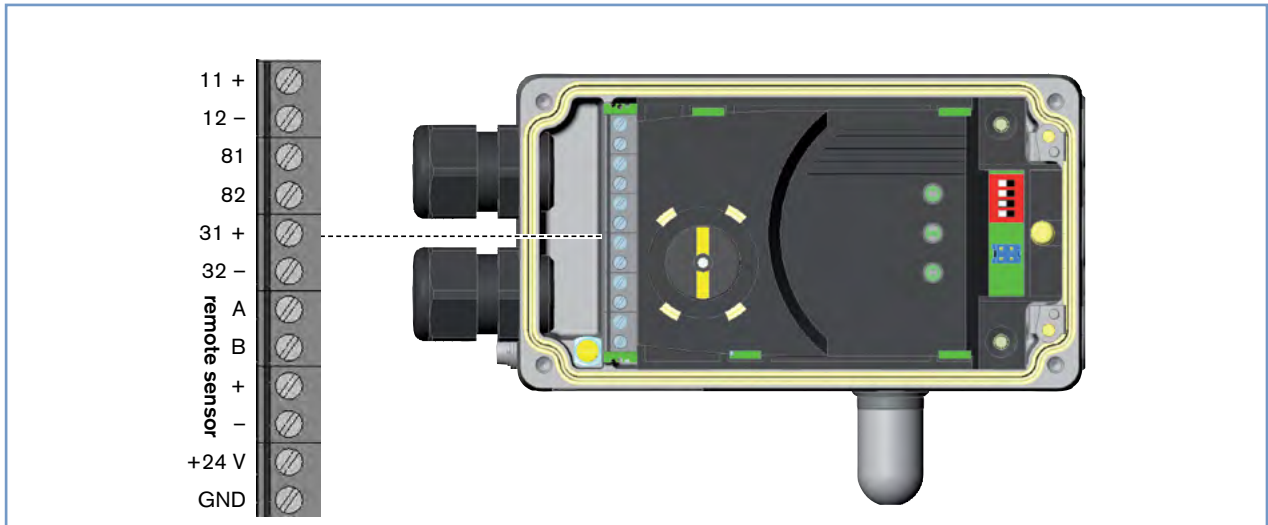
Ordering chart for accessories

| Standard Accessories  | Article no.   |
|---|---|
| M12 socket 8 pin with 5 m cable for power supply and input/output signals   | 919267  |
| M8 plug 4 pin for binary outputs, with solder joints  | 917131  |
| USB büS-Interface Set (büS-Stick + connection cable with M12 plug + connection cable M12 on micro USB for the büS service interface) to connect with PC-Tool Bürkert Communicator | 772551  |
| büS cable extension M12, length 1 m   | 772404  |
| büS cable extension M12, length 3 m   | 772405  |
| büS cable extension M12, length 5 m   | 772406  |
| büS cable extension M12, length 10 m  | 772407  |
| Silencer G ¼" (replacement part)  | 780780  |
| USB interface for serial communication (only for device versions with AS-Interface or without digital communication)  | 227093  |
| Software Bürkert Communicator   | <a href="http://www.buerkert.de/de/type/8920">http://www.buerkert.de/de/type/8920</a> |
| <b>Accessories for SideControl BASIC NAMUR</b>  |   |
| Assembly bridge VDI/VDE 3845 (IEC 60534-6-2), stainless steel   | 770294  |
| Adapter kit VDI/VDE 3845 (IEC 60534-6-2), stainless steel   | 787338  |
| Adapter kit linear actuators IEC 60534-6-1, stainless steel   | 787215  |
| Position feedback with proximity switches (optional upgrade feature) <sup>3)</sup>  | 677218  |
| <b>Accessories for SideControl BASIC Remote</b>   |   |
| Bracket for wall mounting, stainless steel  | 675715  |
| DIN rail assembly kit, Aluminium/stainless steel  | 675702  |
| Adapter kit - remote sensor, ELEMENT Type 23xx control valves<br>Actuator size Ø 70/90/130 mm   | 679917  |
| Sensor Puck (replacement part)  | 682240  |

\* Related Communication software can be downloaded from [www.buerkert.com](http://www.buerkert.com) (8791)

## Connection options

### Cable gland connection



### Input signal

| Terminal | Configuration          | External Circuitry / signal level  |
|----------|------------------------|--|
| 11 +     | Setpoint +             | 11 +  + (0/4 ... 20 mA)<br>not galvanically isolated   |
| 12 -     | Setpoint GND           | 12 -  GND  |
| 81 +     | Binary input +         | 81 +  + $\begin{cases} 0 \dots 5 \text{ V} & (\text{log. } 0) \\ 10 \dots 30 \text{ V} & (\text{log. } 1) \end{cases}$ |
| 82 -     | Binary input -         | 82 -  GND  |
| +24 V    | Operating voltages +   | +24 V  24 V DC $\pm 10 \%$<br>max. residual ripple 10 %  |
| GND      | Operating voltages GND | GND  |

### Output signal with optional analogue position feedback

| Terminal | Configuration         | External Circuitry / signal level                    |
|----------|-----------------------|--|
| 31 +     | Analogue feedback +   | 31 +  + (0/4 ... 20 mA)<br>not galvanically isolated |
| 32 -     | Analogue feedback GND | 32 -  GND  |

### Optional remote version in connection with remote positioner sensor Type 8798

| Terminal      | Configuration | External Circuitry / signal level |           |
|---------------|---------------|-----------------------------------|-----------|
| Remote Sensor | A             | Serial interface, A cable         | A  A line |
|               | B             | Serial interface, B cable         | B  B line |
|               | +             | Supply sensor +                   | S +  +    |
|               | -             | Supply sensor -                   | S -  -    |

Remote Sensor Type 8798

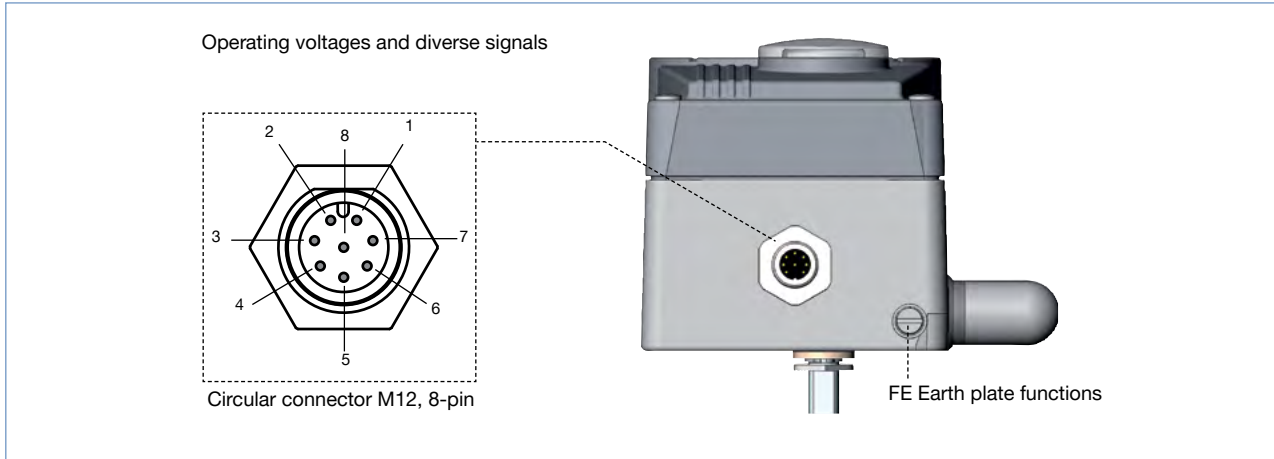
For version without remote version: terminals A, B, +, - not connected

### Remote sensor Type 8798

| Terminal | Wire colour for cable type |        | Configuration            | External Circuitry |
|----------|----------------------------|--------|--------------------------|--------------------|
|          | 1                          | 2      |                          |                    |
| 1        | white                      | black  | Supply Sensor -          | 1  8791 or         |
| 2        | brown                      |        | Supply Sensor +          | 2  8792 / 8793     |
| 3        | yellow                     | orange | Serial Interface, B line | 3  8791 or         |
| 4        | green                      | red    | Serial Interface, A line | 4  8792 / 8793     |

Connection options, *continued*

Multi-pin connection



Circular connector M12 - 8-pin (Input signal)

| Pin | Wire colours* | Configuration          | External Circuitry / signal level                                   |
|-----|---------------|------------------------|---|
| 1   | white         | Setpoint + (0/4-20 mA) | 1  + (0/4 -20 mA)<br>not galvanically isolated                      |
| 2   | brown         | Setpoint GND           | 2  GND  |
| 5   | grey          | Binary Output          | 5  +  0-5 V (log. 0)<br>10-30 V (log. 1)<br>obtained on Pin 3 (GND) |
| 3   | green         | GND                    | 3   24 V DC ± 10%<br>max. Residual ripple 10%                       |
| 4   | yellow        | + 24 V                 | 4   |

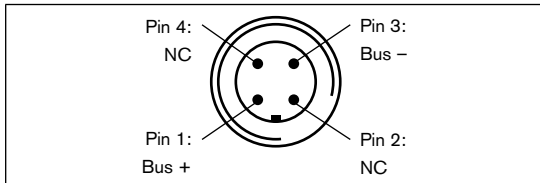
Circular connector M12 - 8-pin (analogue position feedback)

|   |      |                       |  |
|---|------|-----------------------|--|
| 8 | red  | Analogue feedback +   | 8  + (0/4 -20 mA)<br>not galvanically isolated |
| 7 | blue | Analogue feedback GND | 7  GND   |

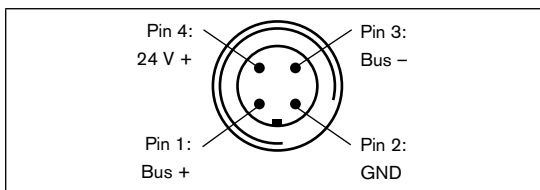
\* The indicated wire colours refer to the connection cable, article no. 919061, available as an accessory

Connection options, *continued*

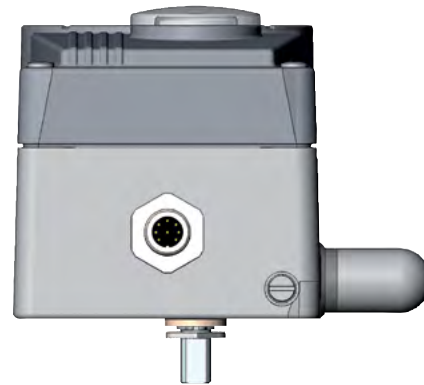
**Electrical connection ASI M12 4-pin**



Bus connection without external supply voltage



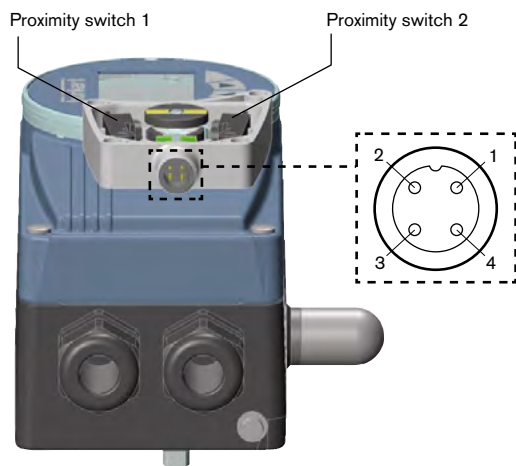
Bus connection with external supply voltage (optional)



Bus connection without external / with external supply voltage

| Pin | Designation             | Configuration                                    |
|-----|-------------------------|--|
| 1   | Bus +                   | AS Interface bus line +                          |
| 2   | NC or GND (optional)    | not used or external supply voltage - (optional) |
| 3   | Bus -                   | AS Interface bus line -                          |
| 4   | NC or 24 V + (optional) | not used or external supply voltage + (optional) |

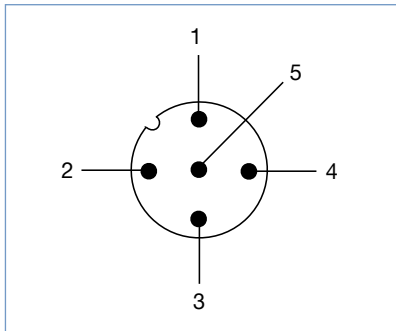
**Electrical connection Position feedback with proximity switches** (accessory for upgrading)



| Pin Config.                                | External circuit /signal level          |
|--|---|
| 1 Supply 10 ... 30 V                       | +10 V ... +30 V —● 1 10 ... 30 V        |
| 2 Switching output (NO) Proximity switch 1 | +10 V ... +30 V —⏏ 2 Open / 10 ... 30 V |
| 3 GND                                      | GND —● 3 GND                            |
| 4 Switching output (NO) Proximity switch 2 | +10 V ... +30 V —⏏ 4 Open / 10 ... 30 V |

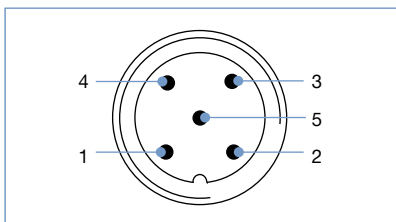
Connection options, *continued*

With digital IO-Link communication



| Pin | Designation | Assignment |                 |
|-----|-------------|------------|-----------------|
| 1   | L +         | 24 V DC    | System supply   |
| 2   | P24         | 24 V DC    | Actuator supply |
| 3   | L -         | 0 V (GND)  | System supply   |
| 4   | Q/C         | IO-Link    |                 |
| 5   | M24         | 0 V (GND)  | Actuator supply |

With digital communication Bürkert system bus (bùS)



| Pin | Cable colour        | Designation                                     |
|-----|---------------------|---|
| 1   | CAN plate/shielding | CAN plate/shielding                             |
| 2   | Red                 | +24 V DC $\pm 25\%$ , max. residual ripple 10 % |
| 3   | Black               | GND / CAN_GND                                   |
| 4   | White               | CAN_H   |
| 5   | Blue                | CAN_L   |

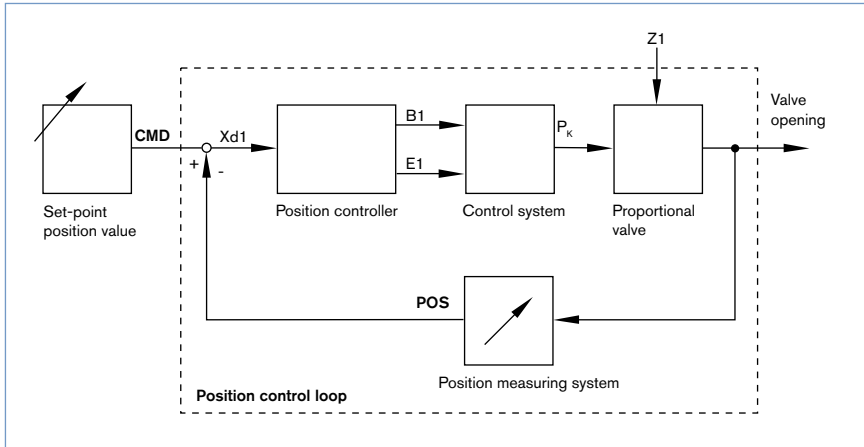
Terminal assignment for external position sensor(for remote model only)

| Terminal | Configuration             | On the device side | External circuit/Signal level |
|----------|---------------------------|--------------------|-------------------------------|
| S +      | Supply sensor +           | S +                | +                             |
| S -      | Supply sensor -           | S -                | -                             |
| A        | Serial interface, cable A | A                  | A-Line                        |
| B        | Serial interface; cable B | B                  | B-Line                        |

| Positioner Terminal | Wire colour                     |                                 |
|---------------------|---------------------------------|---------------------------------|
|                     | Remote sensor with cable type 1 | Remote sensor with cable type 2 |
| S +                 | Brown                           | Brown                           |
| S -                 | White                           | Black                           |
| A                   | Green                           | Red                             |
| B                   | Yellow                          | Orange                          |

Signal flow plan

Position control loop



SideControl BASIC functions

- Automatic start of the control system
- Binary input (safety position)
- Analogue position feedback (optional)

DIP-Switch activated device

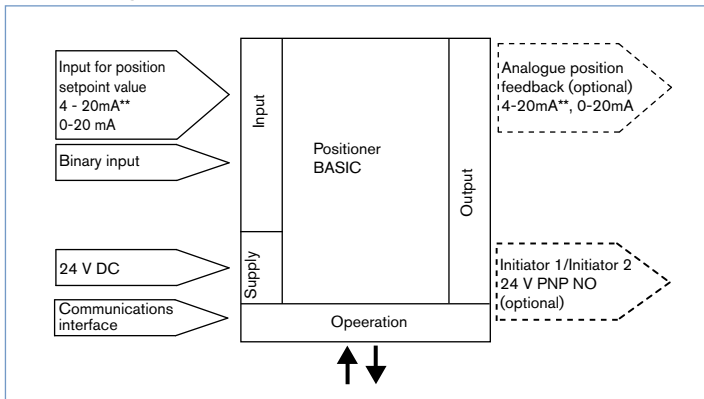
- Close tight function
- Inversion of the operating direction of the setpoint signal
- Linear characteristic curves selection or customised programming (software interface)
- Manual and automatic operation

Communications software with activatable and parameter driven functions

- Customised programming transmission characteristics
- Choices of setpoint signal
- Range splitting setpoint signal
- Limitation of valve stroke
- Limitation of operation speed
- Definition of the safety position
- Signal failure detection

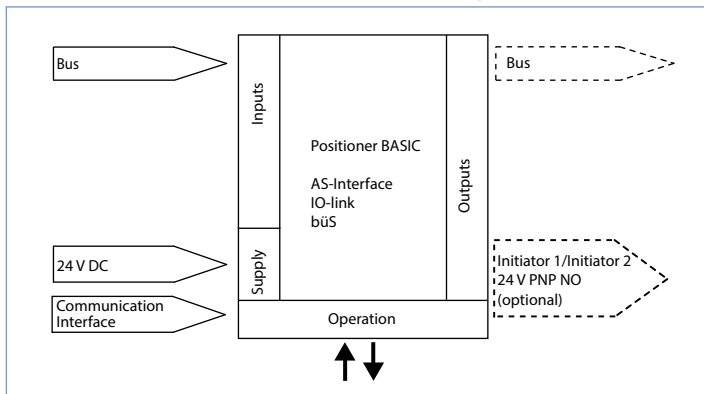
Schematic diagram of SideControl Type 8791 BASIC

Without digital communication

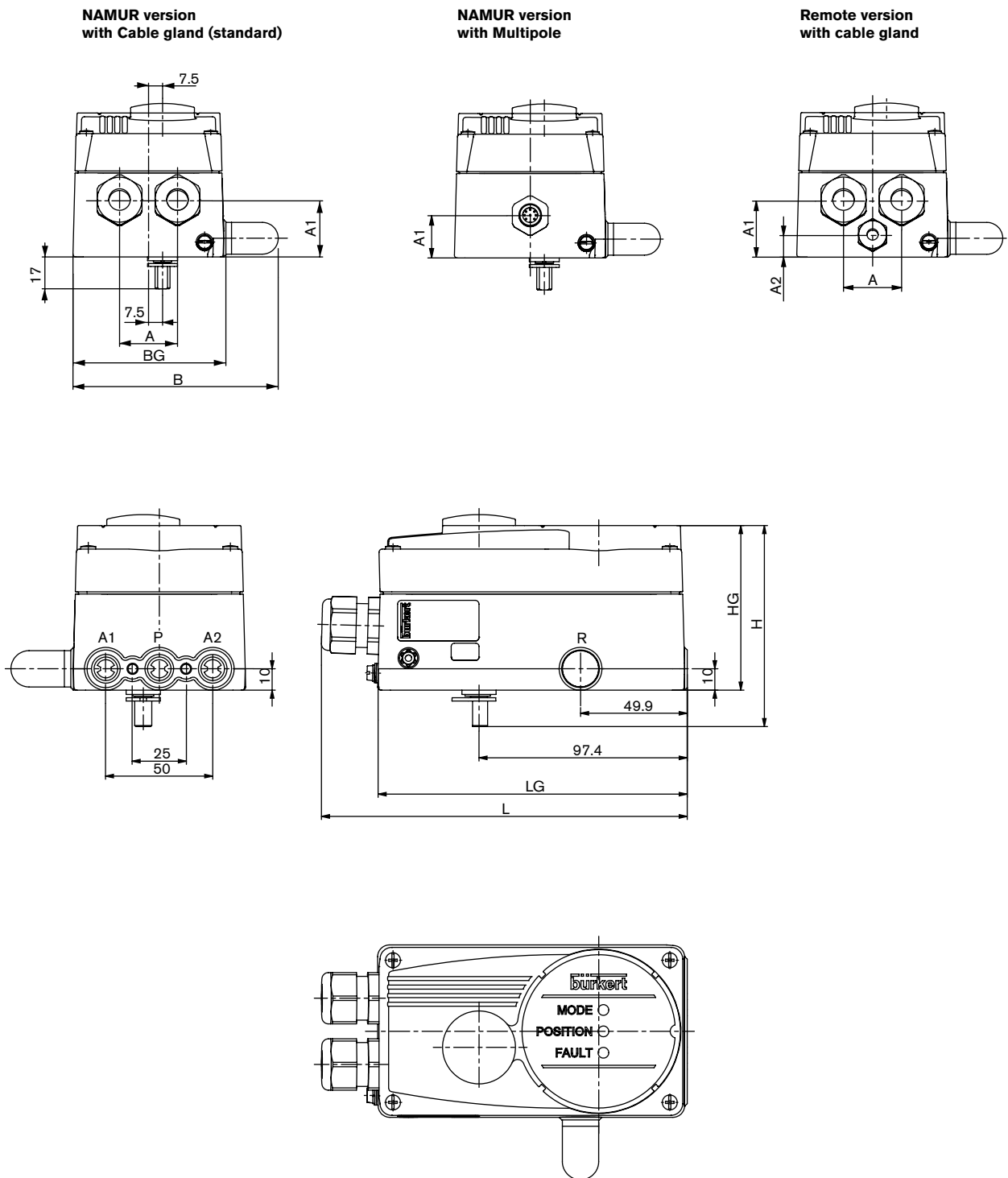


\*\*Default setting

With AS-Interface, IO-Link and Bürkert system bus (büs)



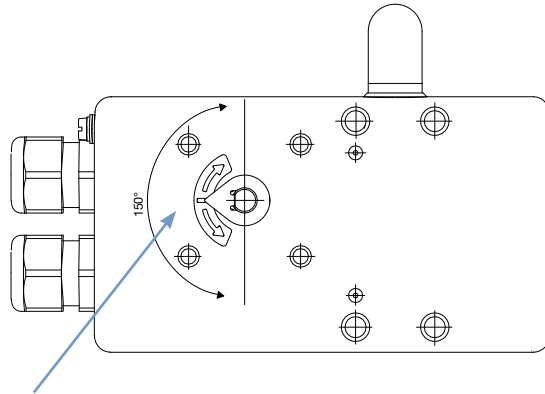
Dimensions [mm]



| Description | LG    | L     | BG   | B     | HG | H    | A  | A1   | A1   |
|-------------|-------|-------|------|-------|----|------|----|------|------|
| Standard    | 144.6 | 171.1 | 81.8 | 109.8 | 77 | 94.1 | 31 | 30   | -    |
| Remote      | 144.6 | 171.1 | 81.8 | 109.8 | 77 | 94.1 | 31 | 30   | 11.5 |
| Multipole   | 144.6 | 171.1 | 81.8 | 109.8 | 77 | 94.1 | -  | 22.5 | -    |
| Remote IP20 | 144.6 | 171.1 | 81.8 | 109.8 | 67 | -    | 31 | 30   | 11.5 |



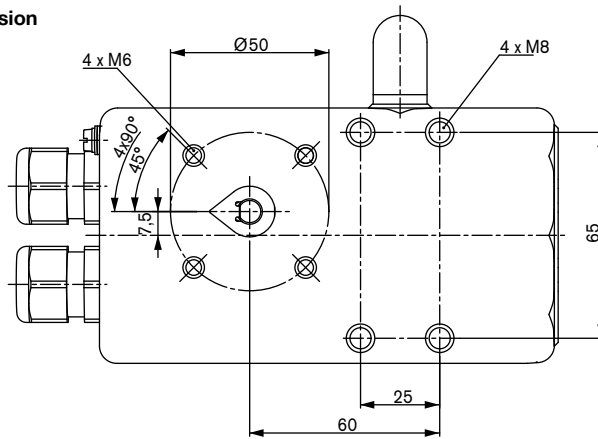
Dimensions [mm], continued



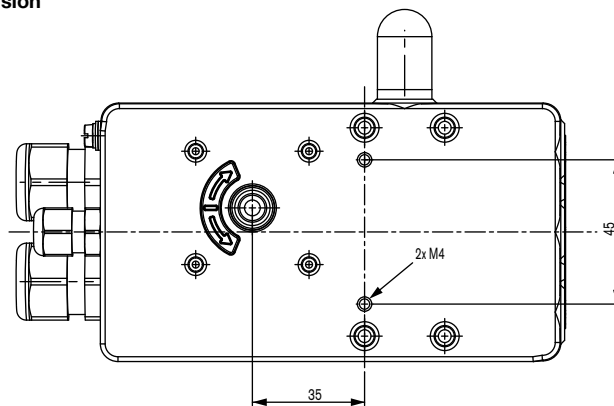
The rotation angle of the sensor must be within a range of 150°

With the valve open approx. 50%, the sensor indicator should be in this position.

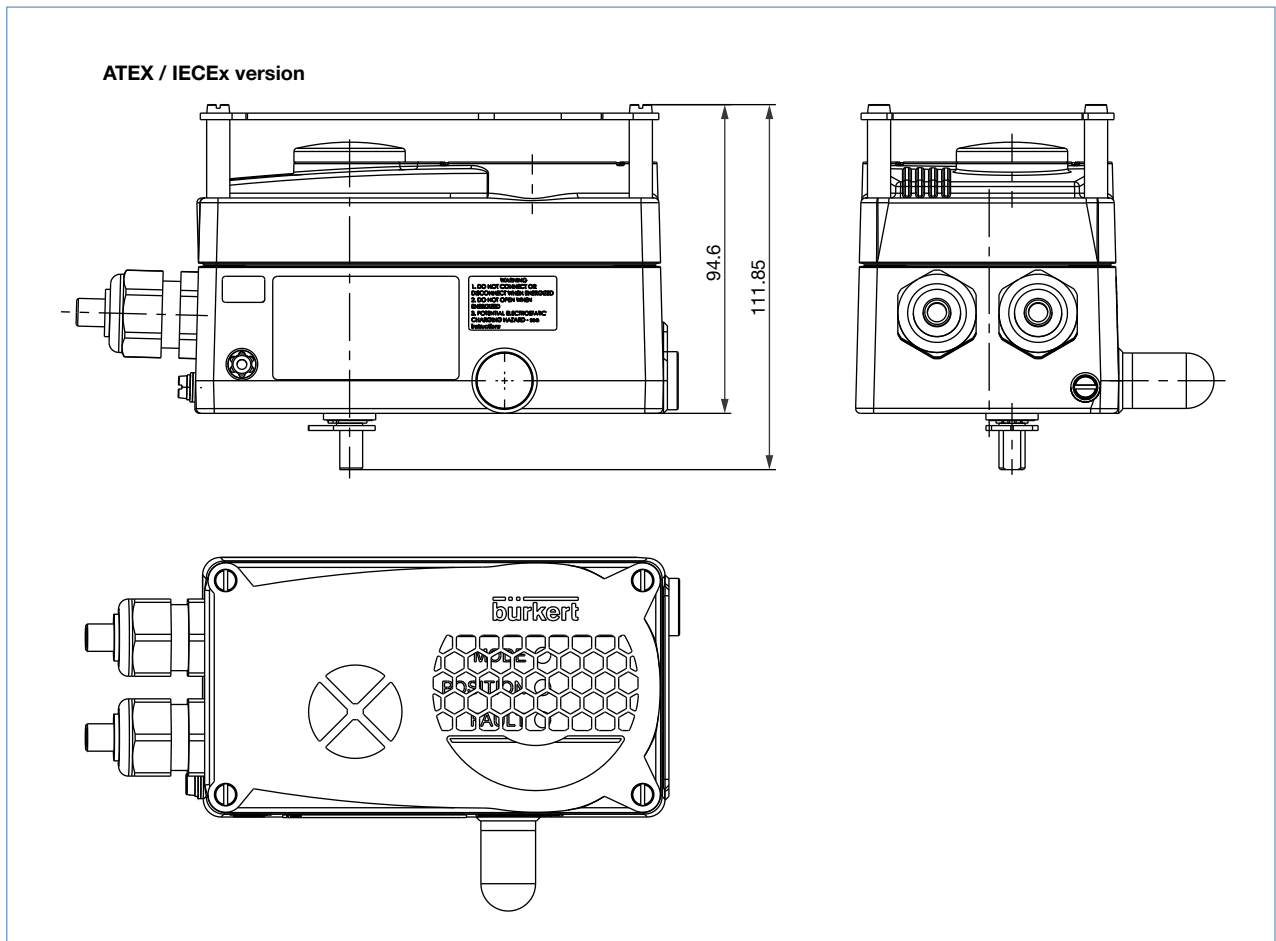
NAMUR Version



Remote version



Dimensions [mm], continued



To find your nearest Bürkert facility, click on the orange box → [www.burkert.com](http://www.burkert.com)

In case of special application conditions,  
please consult for advice

Subject to alterations.  
© Christian Bürkert GmbH & Co. KG

2002/12\_EU-en\_00895131