

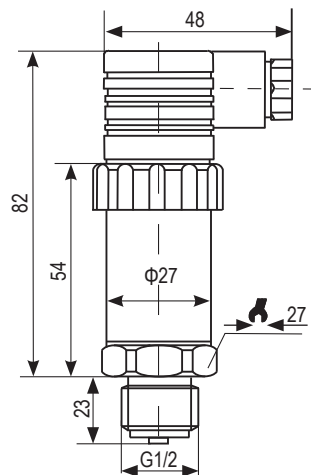


### Pressure Transmitter 压力变送器

- Measuring ranges from 0 ... 1 bar to 0 ... 600 bar
- Pressure output signal: 4 ... 20 mA
- Temperature output signal: PT100
- E-connection: L-Plug, M12×1 or cable outlet
- Optimum long-term stability
- Process connection G1/2", G1/4" and others

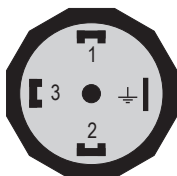
- 测量范围从 0 ... 1 bar 到 0 ... 600 bar
- 压力输出信号: 4 ... 20 mA
- 温度输出信号: Pt100
- 电气连接: L-Plug 插头, M12×1 插头或电缆输出
- 最佳长期稳定性
- 过程连接为 G1/2", G1/4" 或其他

#### Drawing / 尺寸图



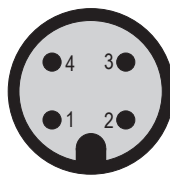
#### Wiring diagram / 接线图

L-Plug



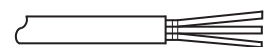
Pin / 针	4 ... 20 mA + Pt100
1	Pressure / 压力 --- U <sub>b</sub> +
2	Pressure / 压力 --- S+
3	Temperature / 温度 --- R
⊥	Temperature / 温度 --- W

M12 × 1



Pin / 针	4 ... 20 mA + Pt100
1	Pressure / 压力 --- U <sub>b</sub> +
2	Temperature / 温度 --- R
3	Pressure / 压力 --- S+
4	Temperature / 温度 --- W

Cable outlet / 电缆出线



Cable / 线缆	4 ... 20 mA + Pt100
red / 红	Pressure / 压力 --- U <sub>b</sub> +
black / 黑	Temperature / 温度 --- R
yellow / 黄	Pressure / 压力 --- S+
white / 白	Temperature / 温度 --- W

Technical Specification / 技术规范						
Pressure range 压力范围	0 ... 1	0 ... 1,6	0 ... 2,5	0 ... 4	0 ... 6	[ bar ]
Overload limit 过载极限	≤ 2	≤ 4	≤ 7	≤ 14	≤ 14	[ bar ]
Pressure range 压力范围	0 ... 10	0 ... 16	0 ... 25	0 ... 40	0 ... 60	[ bar ]
Overload limit 过载极限	≤ 20	≤ 40	≤ 70	≤ 140	≤ 140	[ bar ]
Pressure range 压力范围	0 ... 100	0 ... 160	0 ... 250	0 ... 400	0 ... 600	[ bar ]
Overload limit 过载极限	≤ 300	≤ 400	≤ 700	≤ 1100	≤ 1100	[ bar ]
Temperature range 温度范围	-30 ... +125					[ °C ]
Measuring principle 测量原理	Pressure: piezoresistive / Temperature: Pt100 压力: 压阻 / 温度: Pt100					
Supply voltage 供电电压	8 ... 36					[ V DC ]
Output signal 输出信号	Pressure: 4 ... 20 mA / Temperature: Pt100 压力: 4 ... 20 mA / 温度: Pt100					
Permitted load 允许载荷	4 ... 20 mA: ≤ (U <sub>b</sub> -8V)/0.02A 0 ... 10 V: > 10KΩ					
Current consumption 电流消耗	≤ 25					[ mA ]
Accuracy 精度	≤ ± 0.5 、 ≤ ± 0.25					[ % ]
Repeat accuracy 重复精度	≤ ± 0.05					[ % F.S. ]
Compensated temperature range 补偿温度范围	0 ... 70					[ °C ]
Temperature error zero point 零点温度误差	≤ ± 0.03					[ % F.S./K ]
Temperature error range 量程温度误差	≤ ± 0.03					[ % F.S./K ]
Operating temperature 工作温度	-30 ... +125					[ °C ]
Storage temperature 储存温度	-40 ... +125					[ °C ]
Ambient temperature 环境温度	-25 ... +85					[ °C ]
Response time 响应时间	≤ 1					[ ms ]
Vibration resistance 抗振动性	10g (4 ... 500Hz) sinus acc. to DIN EN 60068-2-6 10g 符合 DIN EN 60068-2-6 在 4 .. 500 Hz					
Shock resistance 抗冲击性	100 g; 11 ms; DIN EN 60068-2-27 100g, 11 ms 符合 DIN EN 60068-2-27					
Housing 外壳材质	Stainless Steel 316L / 不锈钢 316L					
Wetted parts 接触部件	Stainless Steel 316L, Sealing material 不锈钢 316L, 密封材料					
Service life 使用寿命	> 100 million cycles / > 1 亿次循环					
Fitting thread 过程连接	G1/4", G1/2", 1/4NPT, 1/2NPT male thread (others on request) G1/4", G1/2", 1/4NPT, 1/2NPT 外螺纹 (其他按要求提供)					
Electrical connection 电气连接	L-Plug, M12×1 or cable outlet L-Plug 插头、M12×1 插头或电缆出线					
Reverse polarity and short circuit protection 反极性和短路保护	Yes / 带					
Protection degree 防护等级	IP65 using L-Plug / L-Plug 插头为 IP65 IP67 using M12×1 or cable outlet / M12×1 插头或电缆出线为 IP67					

# Series 8329 / 8329 系列

Pressure Transmitter / 压力变送器

**aumarg**  
SENSORS & CONTROLS

## Specification key / 规格代码

8329 -  -  -  -  -  -  -  -  -

Pressure measuring range / 压力测量范围	
71	0 ... 1 bar
72	0 ... 1,6 bar
74	0 ... 2,5 bar
75	0 ... 4 bar
76	0 ... 6 bar
77	0 ... 10 bar
78	0 ... 16 bar
80	0 ... 25 bar
81	0 ... 40 bar
82	0 ... 60 bar
83	0 ... 100 bar
84	0 ... 160 bar
85	0 ... 250 bar
87	0 ... 400 bar
88	0 ... 600 bar

Accuracy / 精度等级	
25	0,5%
22	0,25%

Pressure output signal / 压力输出信号	
19	4 ... 20 mA

Options / 选项	
W	without / 无
B	2 m
E	5 m
K	10 m

E-connection / 电气连接	
51	L-Plug EN 175301-803-A / L-Plug 插头
64	M12 ×1 / M12 ×1 插头
71	Cable outlet / 电缆出线

Pressure fitting / 过程连接	
22	G1/4" EN837
12	G1/4" DIN 3852-E
24	G1/2" EN837
14	G1/2" DIN 3852-E
32	1/4NPT
34	1/2NPT

O-ring / 密封圈材质		
N	NBR	-30 ... +80°C
F	FKM / FPM	-20 ... +125°C

Temperature output signal / 温度输出信号	
44	Pt100

### Sample:

**8329-77-25-19-44-N-24-51-W**

Pressure Transmitter  
Type: 8329  
Measuring range: 0 ... 10 bar / -30 ... +125°C  
Accuracy: 0,5%  
Output signal: 4 ... 20 mA / Pt100  
Power supply: 8 ... 36V DC  
Sealing: NBR  
Material of housing: stainless steel 316L  
Operating temperature: -30 ... +80°C  
Pressure fitting: G1/2" EN 827  
E-connection: L-Plug acc. to DIN EN 175301-803  
Protection type: IP65

### 举例:

**8329-77-25-19-44-N-24-51-W**

压力变送器  
型号: 8329  
测量范围: 0 ... 10 bar / -30 ... +125°C  
精度等级: 0,5%  
输出信号: 4 ... 20 mA / Pt100  
供电电压: 8 ... 36V DC  
密封材质: NBR  
本体材质: 不锈钢 316L  
介质温度: -30 ... +80°C  
过程连接: G1/2" EN837  
电气连接: L-Plug 插头  
防护等级: IP65