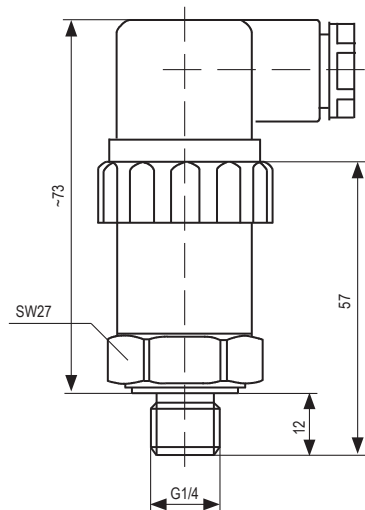




Piston Pressure Switch 活塞压力开关

- Adjustment range: 10 ... 320 bar
 - Snap action micro switch
 - Piston with PTFE - sealing
 - Change over contact SPDT, NC, NO
 - E-connection: L-Plug、M12 x 1 or cable outlet
 - Power rating: 250V AC / 4A、24V DC / 4A
- 开关范围 : 10 ... 320 bar
 - 速动微动开关
 - PTFE 和 O 型圈密封活塞
 - 开关类型为单刀双掷, 常闭、常开
 - 电气连接 : L-Plug 插头、M12 × 1 或电缆输出
 - 额定功率 : 250V AC / 4A、24V DC / 4A

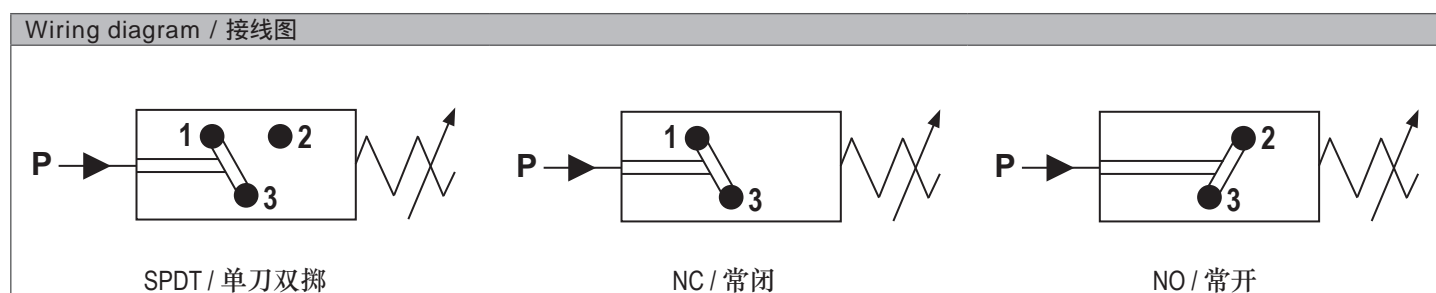
Drawing / 尺寸图



Standard types / 标准类型

Series 系列	Adjustment ranges 开关范围	Max. system pressure 最大系统压力	Repeatability 重复性	Max. hysteresis 最大滞后	Measurement element 测量元件	Pressure fitting 过程连接	Piston with PTFE+O-ring 活塞密封材质	Material of housing 本体材质
8721	10 ... 30 bar	350 bar	± 0,6 bar	Min.7 bar Max.15% 最小 7bar 最大 15%	Piston 活塞	G1/8" G1/4" 1/8NPT 1/4NPT M10 × 1 R1/8" R1/4"	NBR NBR-LowTemp. EPDM FVMQ Viton	Zinc plated steel / 镀锌钢 stainless steel / 不锈钢
8721	10 ... 80 bar		± 1,6 bar					
8721	10 ... 120 bar		± 2,4 bar					
8721	10 ... 160 bar		± 3,2 bar					
8721	20 ... 200 bar		± 4,0 bar					
8721	20 ... 250 bar		± 5,0 bar					
8721	30 ... 320 bar		± 6,4 bar					

Technical Specification / 技术规范								
Adjustment range 开关范围	10 ... 30	10 ... 80	10 ... 120	10 ... 160	20 ... 200	20 ... 250	30 ... 320	[bar]
Repeatability 重复性	± 0,6	± 1,6	± 2,4	± 3,2	± 4,0	± 5,0	± 6,4	[bar]
Max. system pressure 最大系统压力	350							[bar]
Max. hysteresis 最大滞后	5 bar + 5 ... 15%, adjustable 5 bar + 5 ... 15%, 可调							
Switched voltage 开关电压	AC: ~ 250 / DC: ~ 24							[V]
max. switched current resistive load 最大开关电阻负载电流	4							[A]
Mechanical lifetime 机械寿命	> 2 × 10 ⁶ / cycles							
Switching frequency 开关频率	max. 100 cycles / min 最高 100 次 / 分钟							
Material of housing 本体材质	zinc plated steel / stainless steel 镀锌钢 / 不锈钢							
Piston with PTFE + O-ring 活塞密封 O 型圈材质	NBR / NBR-LowTemp. / EPDM / FVMQ / Viton							
Pressure fitting 过程连接	G1/8" / G1/4" / 1/8NPT / 1/4NPT / M10×1 / R1/8" / R1/4"							
Tightening torque, recommended 拧紧扭矩, 推荐	20							[Nm]
Vibration resistance 抗振动性	10g (10 ... 2000Hz) sinus acc. to ISO 16750-3 10g 符合 ISO 16750-3 在 10 .. 2000 Hz							
Shock resistance 抗冲击性	30g, 14ms shaped sinus acc. to DIN 40046, T7 30g, 14ms 符合 DIN 40046, T7							
Temperature range of medium 介质温度范围	NBR : -20 ... +80 NBR-LowTemp.: -40 ... +80 EPDM: -40 ... +100 FVMQ: -40 ... +100 Viton: 0 ... +100							[°C]
Protection degree 防护等级	IP65 using L-Plug / L-Plug 插头为 IP65 IP67 using plug M12x1 / M12 × 1 为 IP67 IP67 using cable outlet / 电缆输出为 IP67							
Weight 重量	~ 0,15							[kg]



Series 8721 / 8721 系列

Pressure Switch / 压力开关

Specification key / 规格代码

8721 - - - - - - -

Pressure adjustment range / 压力设置范围	
46	10 ... 30 bar
48	10 ... 80 bar
49	10 ... 120 bar
84	10 ... 160 bar
50	20 ... 200 bar
85	20 ... 250 bar
52	30 ... 320 bar

Output signal / 输出信号	
3	SPDT / 单刀双掷
1	NC / 常闭
2	NO / 常开

Piston with PTFE + O-ring / 活塞密封圈材质		
N	NBR	-20 ... +80°C
L	NBR-LowTemp.	-40 ... +80°C
E	EPDM	-40 ... +100°C
F	FVMQ	-40 ... +100°C
V	Viton	0 ... +100°C

Material of housing / 本体材质	
Z	zinc plated steel / 镀锌钢
S	stainless steel / 不锈钢

Options / 选项	
W	without / 无
XX,XX	Factory preset / 工厂预设开关点 ¹⁾
C	1,5m cable with socket M12 / 1,5 米电缆

¹⁾ set point adjustment increasing or decreasing.
¹⁾ 设置开关点为上升或下降压力。

E-connection / 电气连接	
51	L-Plug EN 175301-803-A / L-Plug 插头
64	M12 x 1 / 圆形 M12 x 1
71	cable outlet / 电缆输出

Pressure fitting / 过程连接	
11	G1/8"
12	G1/4"
31	1/8NPT
32	1/4NPT
51	M10x1
41	R1/8"
42	R1/4"

Sample:

8721-85-3-N-Z-12-51-160,0F

Pressure Switch
Type: 8721
Adjustment range: 20 ... 250 bar
Output signal: SPDT
Piston with sealing: PTFE/NBR
Material of housing: zinc plated steel
Pressure fitting: G1/4"
E-connection: L-Plug acc. to DIN EN 175301-803
Option: Factory preset switch SP=160,0 bar falling

举例:

8721-85-3-N-Z-12-51-160,0F

压力开关
型号: 8721
压力设置范围: 20 ... 250 bar
输出信号: SPDT
活塞密封材质: PTFE/NBR
本体材质: 镀锌钢
过程连接: G1/4"
电气连接: L-Plug 插头
选项: 工厂预设开关, 开关点 =160,0 bar 下降